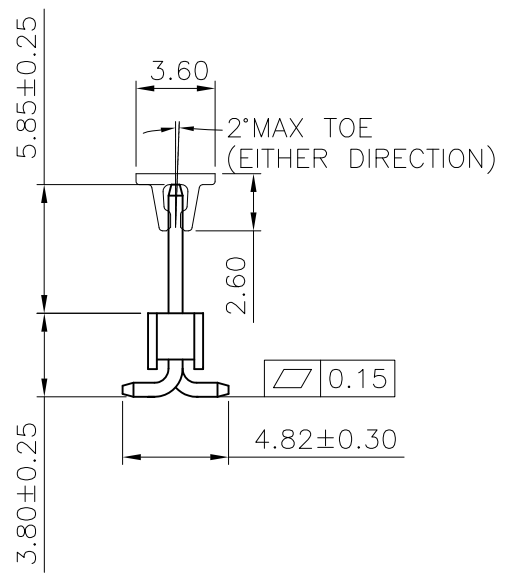
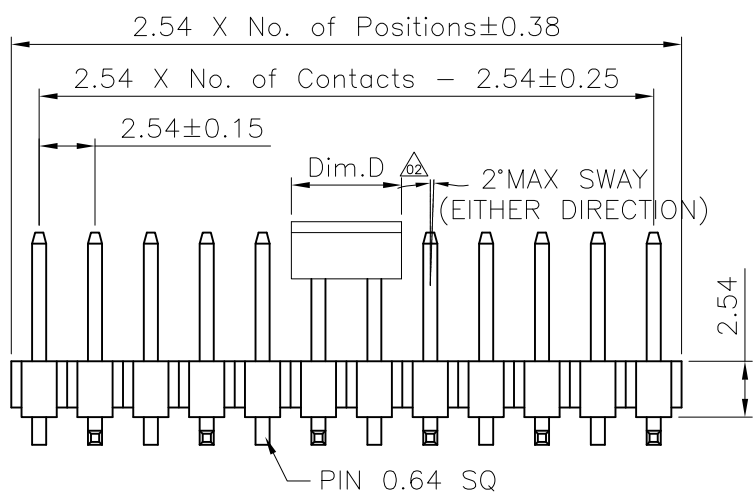
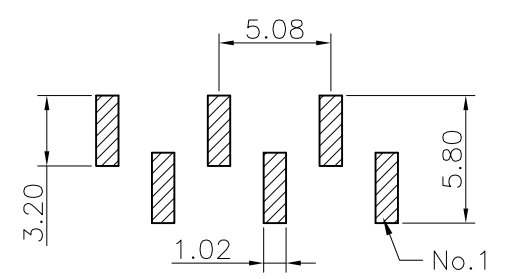


Dim.D	NOTE
5.00mm	02pins
6.50mm	03~40pins



Specifications
 Current Rating: 3.0Amp
 Insulation Resistance: 1000MΩ Min.
 Dielectric Withstanding Voltage: 600V AC
 Contact Resistance: 20mΩ Max.
 Operating Temperature: -40°C to +105°C
 Materials
 Contact Material: Brass
 High Temperature Thermoplastic, UL 94V-0
 Nylon (無鹵) or Equivalent Material

Recommended P.C.Board
 Layout
 (Tolerance: ±0.05)



RoHS Compliant

TOLERANCES ARE

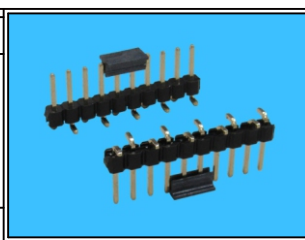


煜倫股份有限公司

www.morethanall.com

DRAWING BY	CY	X. ± 0.30
CHECKED BY	GENIUS	.X ± 0.25
UNIT / mm	SCALE 1:1	.XX ± 0.15
DATE		.XXX ± 0.10
		ANG ±

SIZE A4 PPROJECTION



ORDER INFORMATION

H-V38X58C-1XxxR-LF
 SERIES | 180°SMT | HIGH 3.8mm | NON POST | CAP | CONTACT 5.85mm | LEADFREE | R TYPE FOOT POSITION | 1X02:02WAY | 1X40:40WAY

DESCRIPTION: 2.54 PIN HEADER SINGLE ROW SMT TYPE CONNECTOR