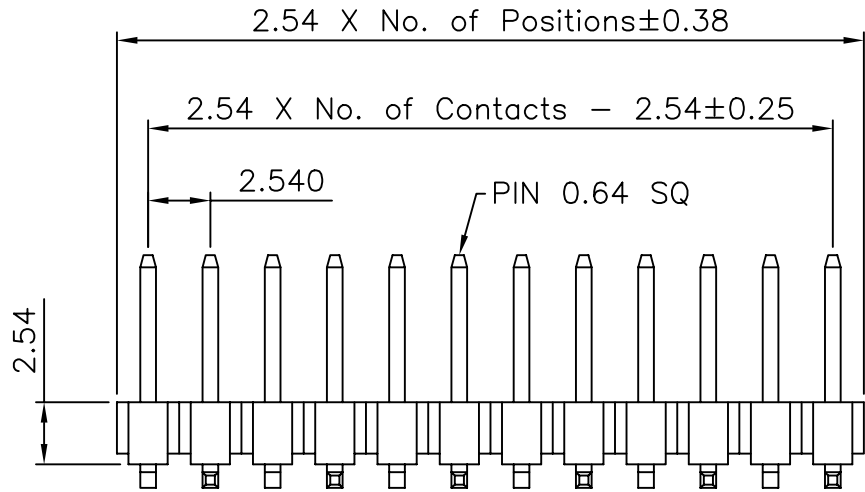
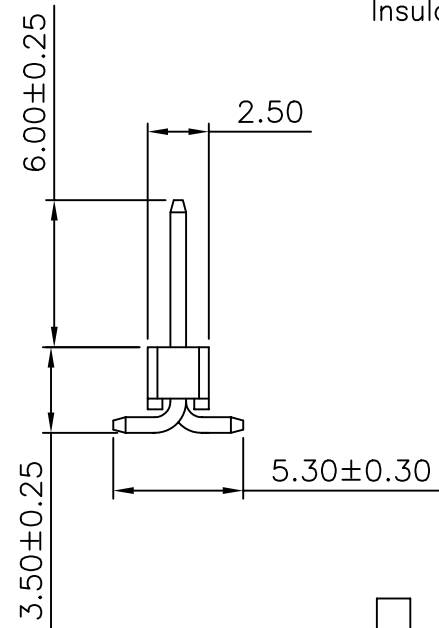


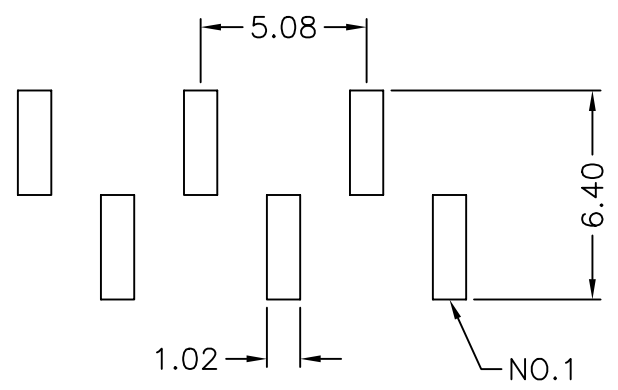
NO.1



H-V_{xx}X-1X_{xx}R
 35:3.50mm
 38:3.80mm



Recommended P.C.Board
 Layout



Specifications
 Current Rating: 3Amp
 Insulation Resistance: 1000MΩ Min.
 Dielectric Withstanding: 600V AC/DC
 Contact Resistance: 20mΩ Max.
 Operating Temperature: -40°C to +105°C

Materials
 Contact Material: Copper Alloy
 Insulator Material: Polyester, UL94V-0
 Nylon 6T



PART NO. H-V35-1X_{xx}R

DWG NO. H-V35-1X_{xx}R

FILE NO.

APPROVED BY CY

DRAWING BY

TOLERANCES ARE
 .X ±0.38
 .XX ±0.25
 .XXX ±0.13
 AWG

DESCRIPTION: 2.54 PIN HEADER SINGLE ROW SMT TYPE BASE 2.54H

煜倫股份有限公司

UNIT / mm

SCALE 1:1

PROJECTION

AREA

REVISIONS

HK

DATE