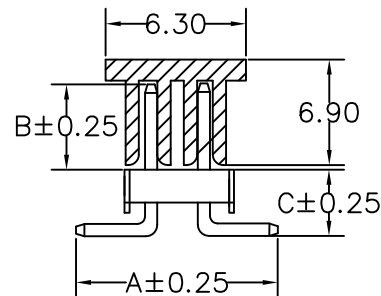
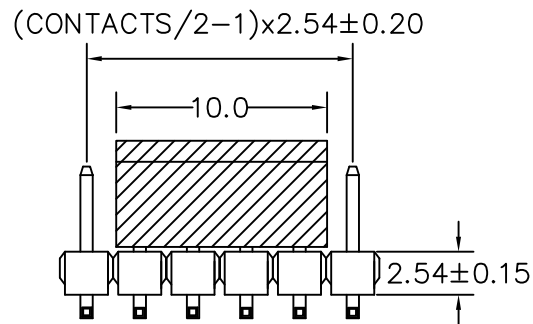


RECOMMENDED P.C.B LAYOUT

CONTACTS	2X21
2X2	2X22
2X3	2X23
2X4	2X24
2X5	2X25
2X6	2X26
2X7	2X27
2X8	2X28
2X9	2X29
2X10	2X30
2X11	2X31
2X12	2X32
2X13	2X33
2X14	2X34
2X15	2X35
2X16	2X36
2X17	2X37
2X18	2X38
2X19	2X39
2X20	2X40



A: 7.50 mm B: 6.00 mm C: 3.30 mm

MATERIAL
 HOUSING : NY6T,UL94V-0
 CAP : NY6T,UL94V-0
 CONTACT : COPPER ALLOYS
 PLATED : GOLD-FLASH
 COLOR : BLACK

SPECIFICATION
 CURRENT: 3A
 OPERATING TEMPERATURE: -55°C TO +105°C
 CONTACT RESISTANCE : 20 MILLIOHMS MAX
 INSULATION RESISTANCE : 1000 MEGAOHMS MIN
 WITHSTANDING VOLTAGE : 1000V AC/minute

RoHS Compliant

TOLERANCES ARE



煜倫股份有限公司

www.morethanall.com

DRAWING BY CY

CHECKED BY GENIUS

UNIT / mm

SCALE 1 : 1

DATE

SIZE A4

X, ±
 .X ± 0.38
 .XX ± 0.25
 .XXX ±
 ANG ± 5°

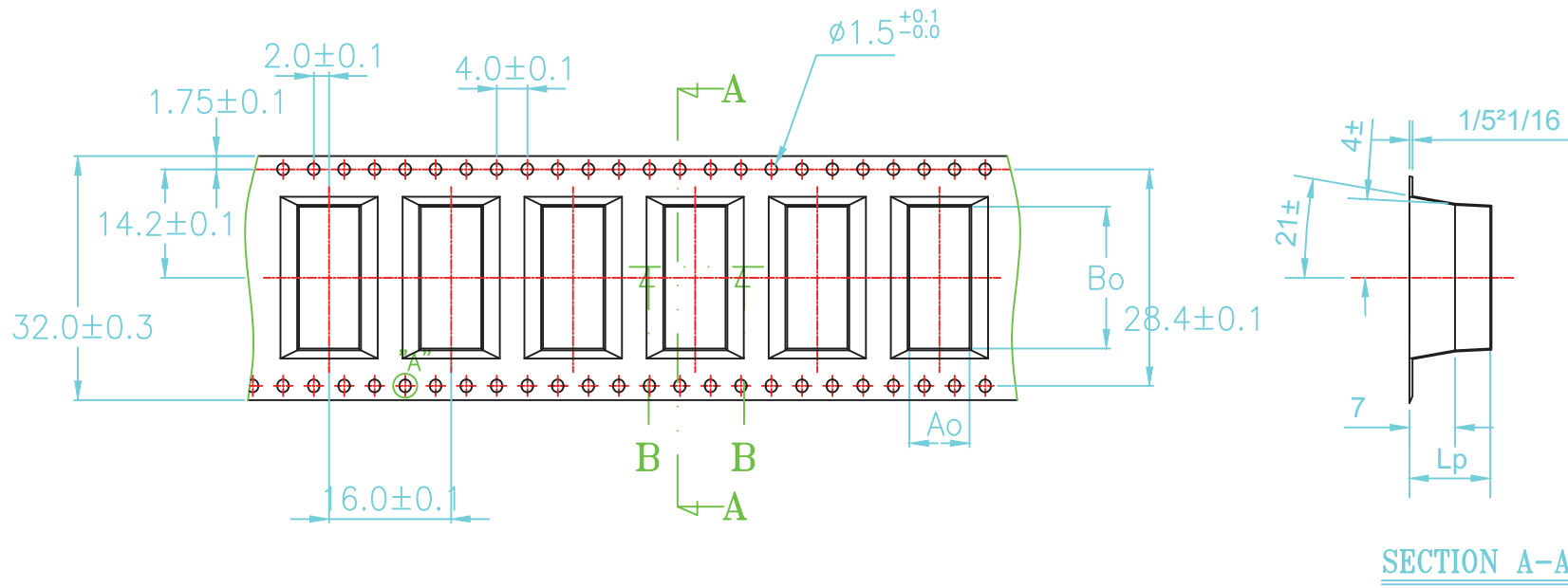
PJECTION

照片框

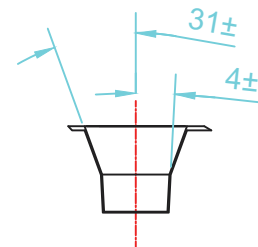
ORDER INFORMATION



DESCRIPTION: PIN HEADER 2.54 SMT+CAPH:2.54



1. 10 sprocket hole pitch cumulative tolerance ± 0.20 mm.
2. Carrier camber not to exceed 1mm in 100mm.
3. A_0 and B_0 measured on a plane 0.3mm above the bottom of the pocket.
4. K_0 measured from a plane on the inside bottom of the pocket to the top surface of the carrier.
5. All dimensions meet EIA-481-2 requirements.
6. Material: Black Anti-Static Polystyrene.
7. Component load per 13" reel : 400 pcs.13"=6.816 M B:11 A:15



SECTION B-B



煜倫股份有限公司

www.morethanall.com

RoHS Compliant

DRAWING BY CY

CHECKED BY GENIUS

UNIT / mm SCALE 1 : 1

DATE

SIZE A4

TOLERANCES ARE

X, \pm
 .X ± 0.38
 .XX ± 0.25
 .XXX \pm
 ANG $\pm 5^\circ$

PJECTION

照片框

ORDER INFORMATION

H-V33XCR-2Xxx-LF
 SERIES LEADFREE
 2X02:02WAY
 2X40:80WAY
 REEL
 CAP
 NON POST
 180°SMT
 HIGH 3.3mm

DESCRIPTION: PIN HEADER 2.54 SMT+CAPH:2.54