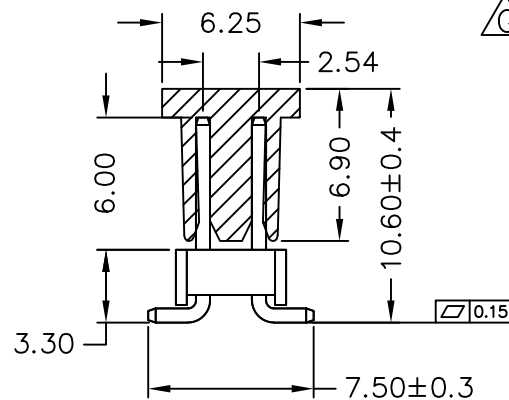


Recommended P.C.B Layout



MATERIAL

Insulator: NY6T UL94-V0
Contact Pin : Brass

SPECIFICATION

Current Rate : 3 AMP
Insulation Resistance : 5000MΩMin. at DC 500V
Contact Resistance : 20mΩMax. at DC 100mA
Dielectric Voltage : AC 500V for one minute
Operation Temperature : -40°C to +105°C



RoHS Compliant

TOLERANCES ARE

MORETHANALL
PCB CONNECTORS
Cable ASSEMBLIES

DRAWING BY CY

X. ±
.X ± 0.30

CHECKED BY GENIUS

.XX ± 0.20

UNIT / mm

SCALE 1 : 1

.XXX ±

ANG ± 3°

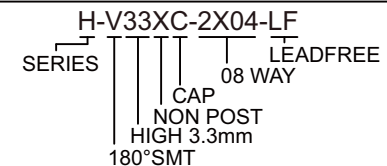
DATE

SIZE A4

PPOJECTION

照片框

ORDER INFORMATION



DESCRIPTION: PIN HEADER 2.54*2.54mm SMT S/T TYPE, DUAL ROWS CAP

煜倫股份有限公司

www.morethanall.com