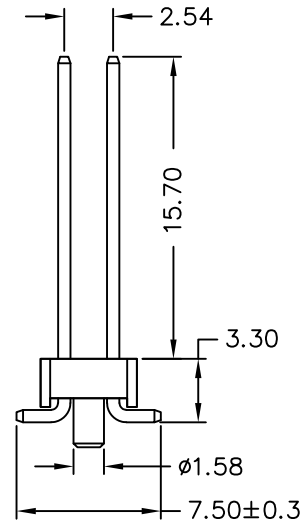


Recommended P.C.B Layout



MATERIAL

Insulator : NY6T UL94-V0
Contact Pin : Brass

SPECIFICATION

Current Rate : 3 AMP
Insulation Resistance : 5000MΩMin. at DC 500V
Contact Resistance : 20mΩMax. at DC 100mA
Dielectric Voltage : AC 500V for one minute
Operation Temperature : -40°C to + 105°C

RoHS Compliant

TOLERANCES ARE



煜倫股份有限公司

www.morethanall.com

DRAWING BY CY

CHECKED BY GENIUS

UNIT / mm SCALE 1 : 1

DATE

SIZE A4 PPROJECTION

X. ±
.X ± 0.30
.XX ± 0.20
.XXX ±
ANG ± 3°

照片框

ORDER INFORMATION

H-V33P157-2X07-LF
SERIES | POST | CONTACT 15.70mm | LEADFREE
14 WAY
HIGH 3.3mm
180°SMT

DESCRIPTION: PIN HEADER 2.54*2.54mm SMT S/T TYPE, DUAL ROWS TUBE