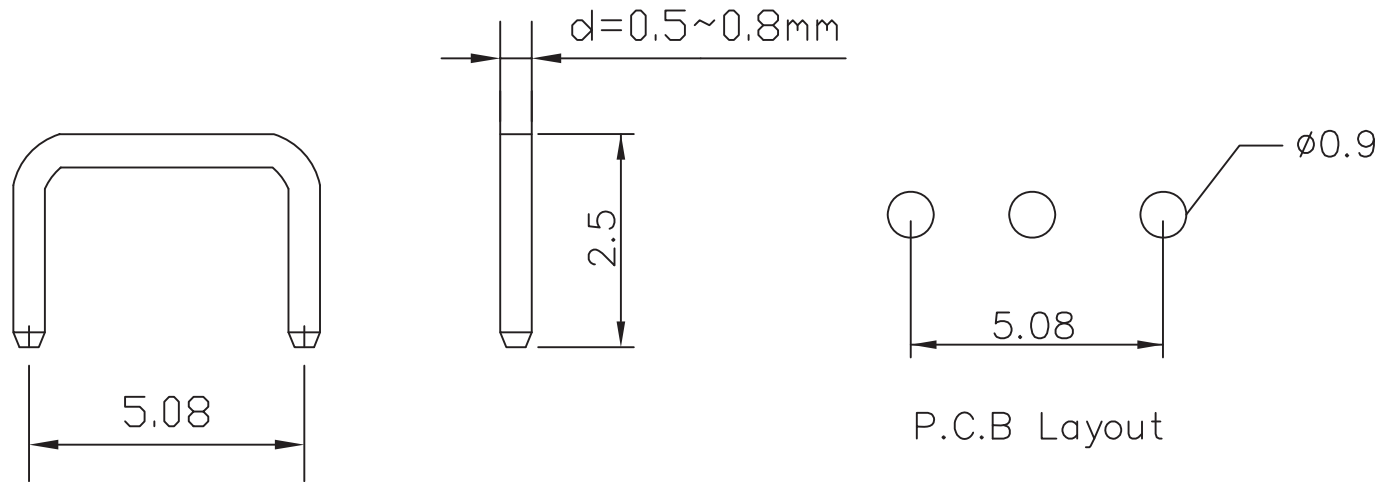


SPECIFICATION

Current Rating : 3 Amps
 Insulator Resistance : 5000 Megohms min.
 Contact Resistance : 20 Milliohms Max.
 Dielectric Withstanding : AC 500V
 Operating Temperature : -40°C~+105°C
 Contact Material : Brass
 Contact Plated : Full Gold, Full Tin, Selective Plated



RoHS Compliant

TOLERANCES ARE

MORETHANALL
 PCB CONNECTORS
 Cable ASSEMBLIES

煜倫股份有限公司

www.morethanall.com

DRAWING BY CY

CHECKED BY GENIUS

UNIT / mm

SCALE 1 : 1

DATE

SIZE A4

X. ±
 .X ±
 .XX ±
 .XXX ±
 ANG ±

PPOJECTION

照片框

ORDER INFORMATION

H-UXB-1X03-LF
 SERIES | LEADFREE
 | 03 WAY
 | NON BASE
 U TYPE

DESCRIPTION: 2.54mm Pin Header Single Row 02 to 40 Contacts U Style Type Profile:2.54mm