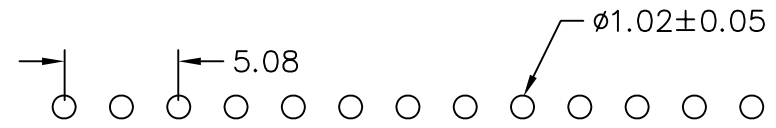
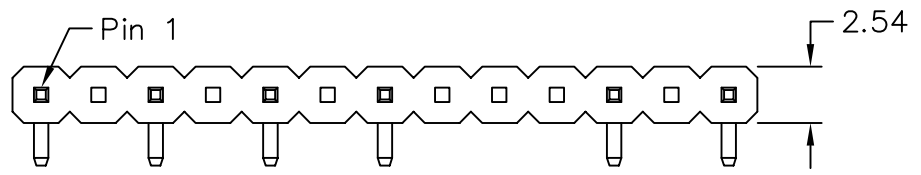
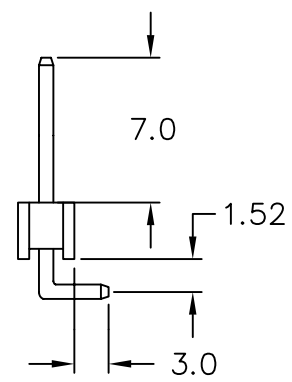
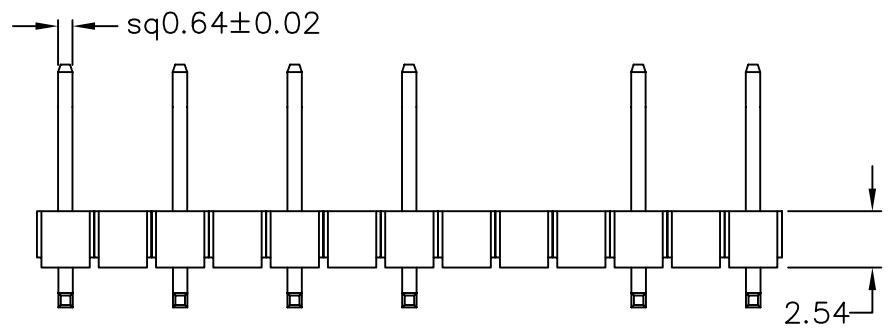


1 2 3 4 5 6 7 8 9 0

J
I
H
G
F
E
D
C
B
A



Recommended P.C.B Layout

MATERIAL

Insulator : 30% Glass fiber PBT
Contact Pin : Brass

SPECIFICATION

Current Rate : 3 AMP
Insulation Resistance : 5000MΩMin. at DC 500V
Contact Resistance : 20mΩMax. at DC 100mA
Dielectric Voltage : AC 500V for one minute
Operation Temperature : -40°C to + 105°C

RoHS Compliant



PART NO. H-RL704030EEL5-1X13

DWG NO. H-RL704030EEL5-1X13

APPROVED BY CY

TOLERANCES ARE

DESCRIPTION:

PIN HEADER 2.54*2.54mm
RIGHT ANGLE TYPE, SINGLE ROW
OPPOSITE INSULATOR

FILE NO.

DRAWING BY

.X ± 0.3
.XX ± 0.2
.XXX
AWG

AREA

REVISIONS

HK

DATE

煜倫股份有限公司

UNIT / mm

SCALE 1:1

PROJECTION