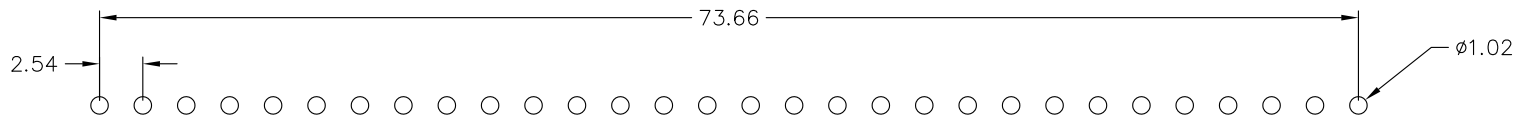
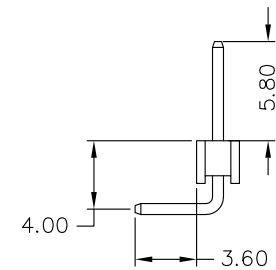
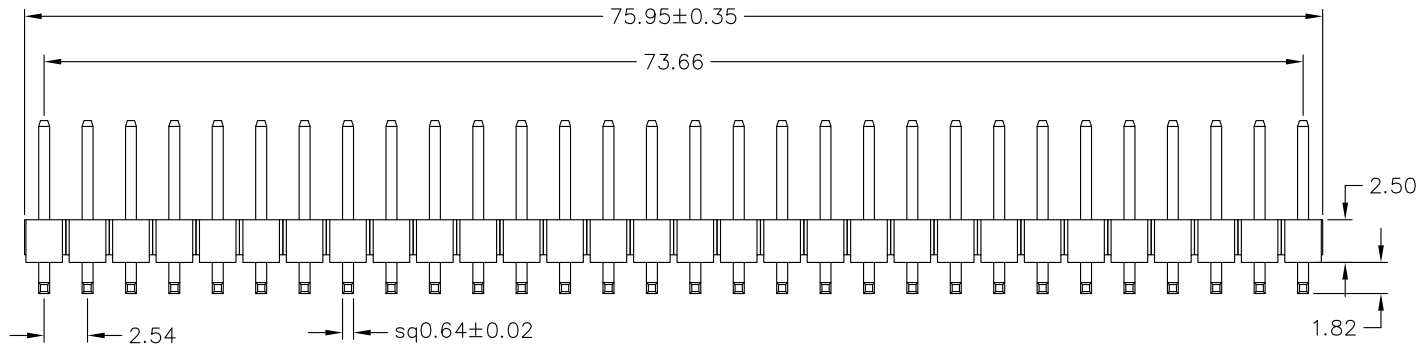


MATERIAL

Contact Pin : Brass
 Insulator: PBT UL94-V0

SPECIFICATION

Current Rate : 3 AMP
 Insulation Resistance : 5000MΩMin. at DC 500V
 Contact Resistance : 20mΩMax. at DC 100mA
 Dielectric Voltage : AC 500V for one minute
 Operation Temperature : -40°C to + 105°C



Recommended P.C.B Layout

RoHS Compliant

TOLERANCES ARE

MORETHANALL
 PCB CONNECTORS
 Cable ASSEMBLIES

DRAWING BY CY

CHECKED BY GENIUS

UNIT / mm

SCALE 1 : 1

DATE

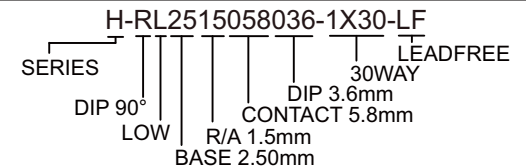
SIZE A4

X, ±
 .X ± 0.30
 .XX ± 0.20
 .XXX ±
 ANG ± 3°

P PROJECTION

照片框

ORDER INFORMATION



DESCRIPTION: PIN HEADER 2.54*2.54mm RIGHT ANGLE TYPE, SINGLE ROW

煜倫股份有限公司

www.morethanall.com