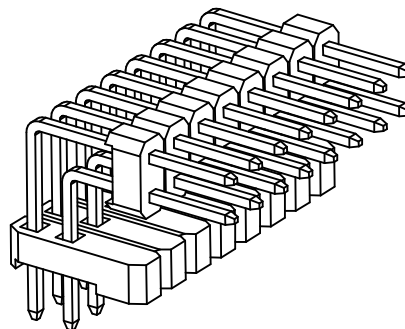
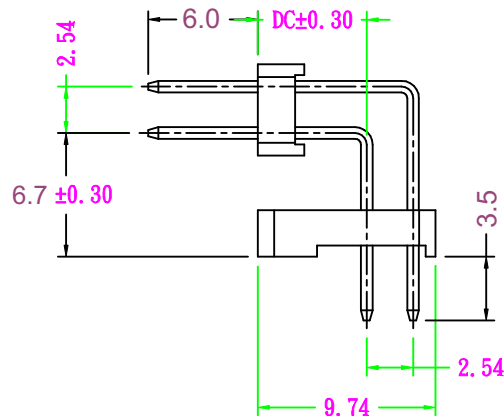


P. C. B LAYOUT (TOL. :±0.05)



NOTE:

1. @ MEANS KEY DIMENSIONS, MUST BE CHECKED.

2. MATERIAL:

2.1 CONTACT: BRASS.

2.2 INSULATOR: UL94V-0 .

2.3 FINISH: NICKEL UNDER GOLD FLASH OVER ALL.

DIMENSION LIST

NO. OF POSITIONS	A	B	NO. OF POSITIONS	A	B
01	2.54	.	21	53.34	50.80
02	5.08	2.54	22	55.88	53.34
03	7.62	5.08	23	58.42	55.88
04	10.16	7.62	24	60.96	58.42
05	12.70	10.16	25	63.50	60.96
06	15.24	12.70	26	66.04	63.50
07	17.78	15.24	27	68.58	66.04
08	20.32	17.78	28	71.12	68.58
09	22.86	20.32	29	73.66	71.12
10	25.40	22.86	30	76.20	73.66
11	27.94	25.40	31	78.74	76.20
12	30.48	27.94	32	81.28	78.74
13	33.02	30.48	33	83.82	81.28
14	35.56	33.02	34	86.36	83.82
15	38.10	35.56	35	88.90	86.36
16	40.64	38.10	36	91.44	88.90
17	43.18	40.64	37	93.98	91.44
18	45.72	43.18	38	96.52	93.98
19	48.26	45.72	39	99.06	96.52
20	50.80	48.26	40	101.60	99.06

RoHS Compliant

TOLERANCES ARE

MORETHANALL
PCB CONNECTORS
Cable ASSEMBLIES

DRAWING BY CY

X.±

CHECKED BY GENIUS

.X±

UNIT / mm

SCALE 1 : 1

.XX±

DATE

.XXX±

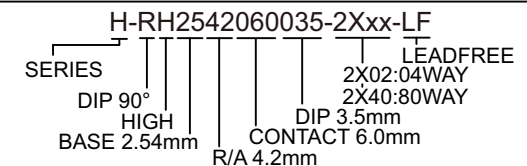
ANG±

SIZE A4

P PROJECTION

照片框

ORDER INFORMATION



DESCRIPTION: PH P2.54 90° 底塑加寬

煜倫股份有限公司

www.morethanall.com