

MATERIAL

Contact Pin : Brass

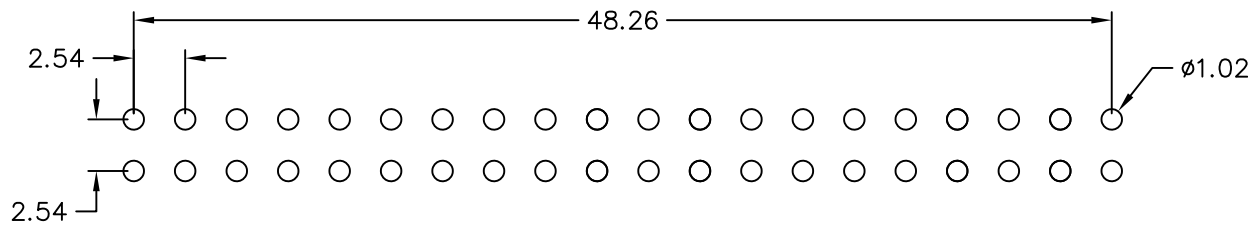
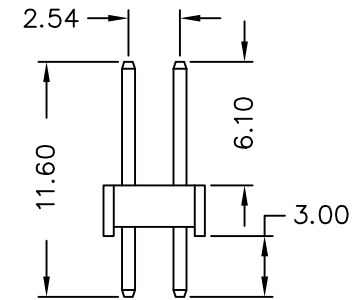
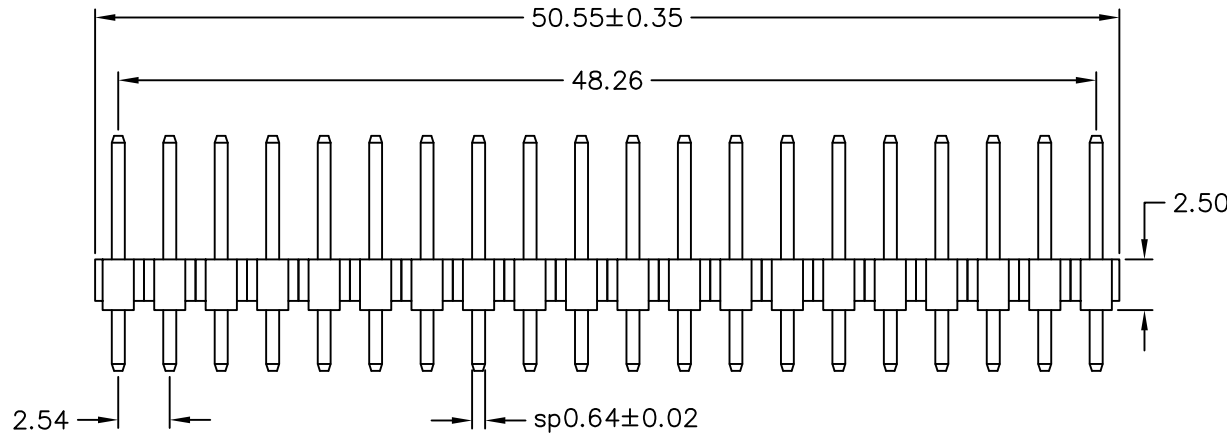
SPECIFICATION

Current Rate : 3 AMP

Insulation Resistance : 5000MΩMin. at DC 500V

Contact Resistance : 20mΩMax. at DC 100mA

Dielectric Voltage : AC 500V for one minute



Recommended P.C.B Layout

RoHS Compliant

TOLERANCES ARE



煜倫股份有限公司

www.morethanall.com

DRAWING BY CY

CHECKED BY GENIUS

UNIT / mm

SCALE 1 : 1

DATE

SIZE A4

X, ±
.X ± 0.30
.XX ± 0.20
.XXX ±
ANG ± 3°

P PROJECTION

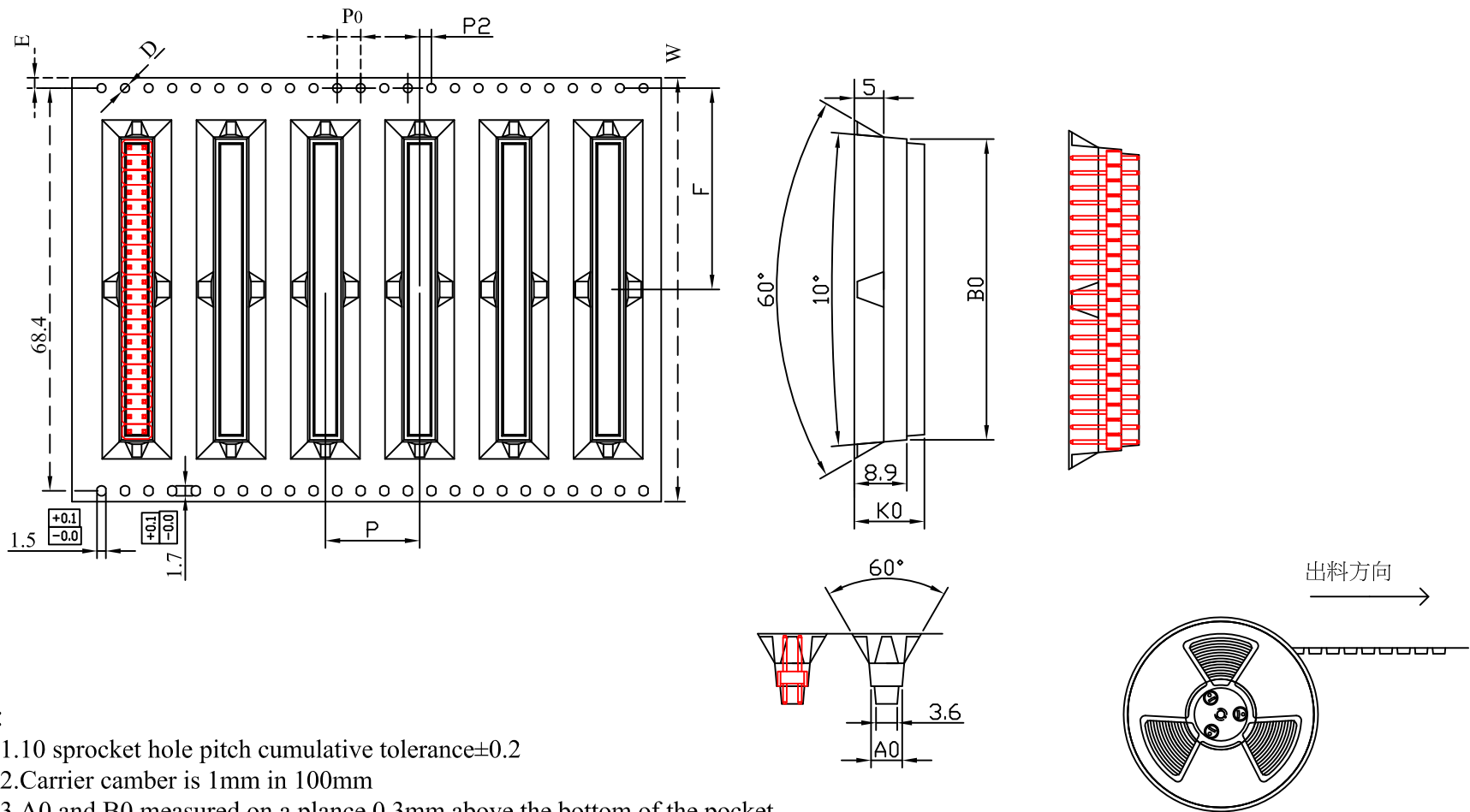
照片框

ORDER INFORMATION

H-DR-2X20-LF
SERIES | REEL | LEADFREE
40 WAY
DIP 180°

DESCRIPTION: PIN HEADER 2.54*2.54mm STRAIGHT TYPE, DUAL ROWS REE1

ITEM	W	A0	B0	K0	K1	P	E	F	D	P0	P2
DIM	72 ^{+0.3} _{-0.3}	5.3 ^{+0.1} _{-0.1}	51.1 ^{+0.1} _{-0.1}	11.9 ^{+0.1} _{-0.1}	8.9 ^{+0.1} _{-0.1}	16 ^{+0.1} _{-0.1}	1.75 ^{+0.1} _{-0.1}	34.2 ^{+0.1} _{-0.1}	1.5 ^{+0.1} _{-0.0}	4.0 ^{+0.1} _{-0.1}	2.0 ^{+0.1} _{-0.1}



NOTE:

1. 10 sprocket hole pitch cumulative tolerance ± 0.2
2. Carrier camber is 1mm in 100mm
3. A0 and B0 measured on a plane 0.3mm above the bottom of the pocket
4. K0 measured from a plane on the inside bottom of the pocket to the top surface of the carrier
5. All dimensions meet EIA-481-2 requirements
6. 22" 1R= 19.5M 1050PCS 13" 1R= 6.5M 350PCS

RoHS Compliant

TOLERANCES ARE

MORETHANALL
PCB CONNECTORS
Cable ASSEMBLIES

DRAWING BY CY

X, \pm

CHECKED BY GENIUS

.X \pm 0.30

UNIT / mm

SCALE 1 : 1

.XX \pm 0.20

DATE

.XXX \pm

ANG \pm 3°

SIZE A4

P PROJECTION

照片框

ORDER INFORMATION

H-DR-2X20-LF
SERIES | LEADFREE
40 WAY
REEL
DIP 180°

煜倫股份有限公司

www.morethanall.com

DESCRIPTION: PIN HEADER 2.54*2.54mm STRAIGHT TYPE, DUAL ROWS REE1