

MATERIAL

HOUSING : NY6T, UL-94V0

CONTACT : COPPER ALLOY

PLATED : GOLD-FLASH

COLOR : BLACK

SPECIFICATION

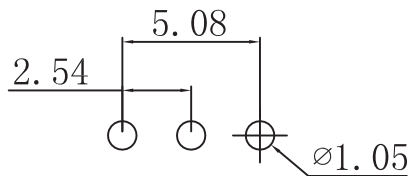
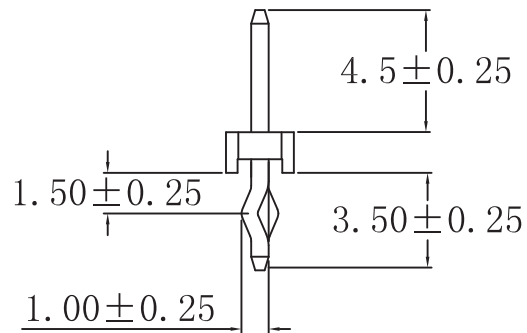
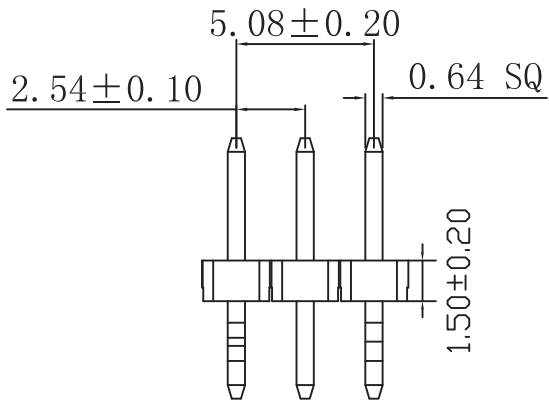
CURRENT : 3A

OPERATING TEMPERAURE : -40°C TO +105°C

CONTACT RESISTANCE : 20 MILLIOHMS MAX

INSULATION RESISTANCE: 1000 MEGAOHMS MIN

WITHSTAND VOLTAGE : 500 V AC MIN



P.C.B . LAYOUT

RoHS Compliant

TOLERANCES ARE

MORETHANALL
PCB CONNECTORS
Cable ASSEMBLIES

DRAWING BY CY

CHECKED BY GENIUS

UNIT / mm

SCALE 1:1

DATE

SIZE A4

X, ±
.X ± 0.38
.XX ± 0.25
.XXX ±
ANG ± 5°

PJECTION

照片框

ORDER INFORMATION



DESCRIPTION: PIN HEADER 2.54PH 180° +KINK(1&3)H:2.54 1×3PIN

煜倫股份有限公司

www.morethanall.com