

**SPECIFICATIONS**

Current Rating: 3 Amps  
 Insulator resistance: 5000 Megohms min.  
 Dielectric withstanding: AC 1000 V  
 Operating Temperature: -40~+105°C  
 Contact Material: Copper alloy  
 Insulator Material: Polyester, UL 94V-0

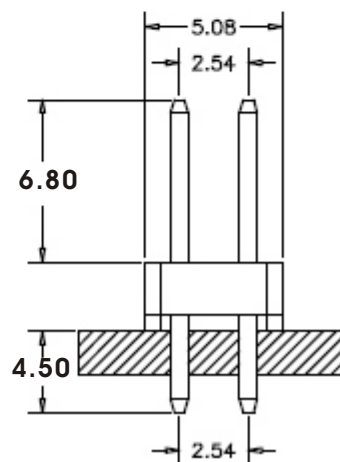
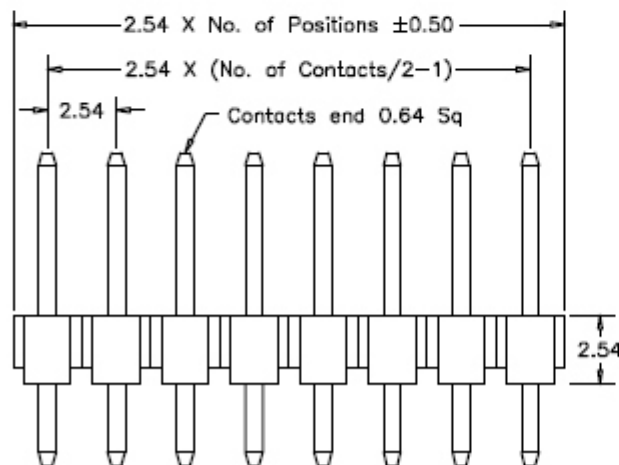
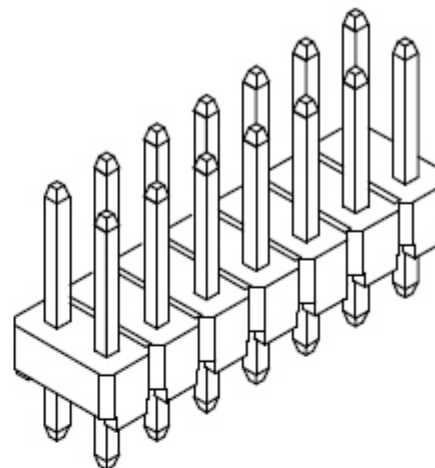
©Standard: P.B.T

Finish: Tin, Gold or Duplex plated

©Standard: Gold flash all over

©Note:

Duplex plating: gold plated on contact area,  
 Tin on solder area



H-D1386845G15-2Xxx

G15:FULLGOLD 15u



PART NO. H-D1386845G15-2Xxx

DWG NO. H-D1386845G15-2Xxx

CHECKED BY CY

TOLERANCES ARE

DESCRIP TION:

FILE NO.

DRAWING BY

.X ±0.2  
 .XX ±  
 .XXX ±  
 AWG

AREA

REVISIONS

HK

DATE

煜倫股份有限公司

UNIT / mm

SCALE 1:1

PROJECTION