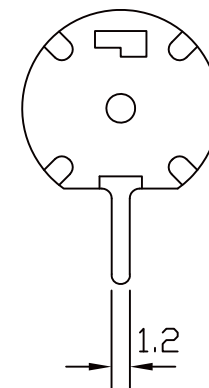
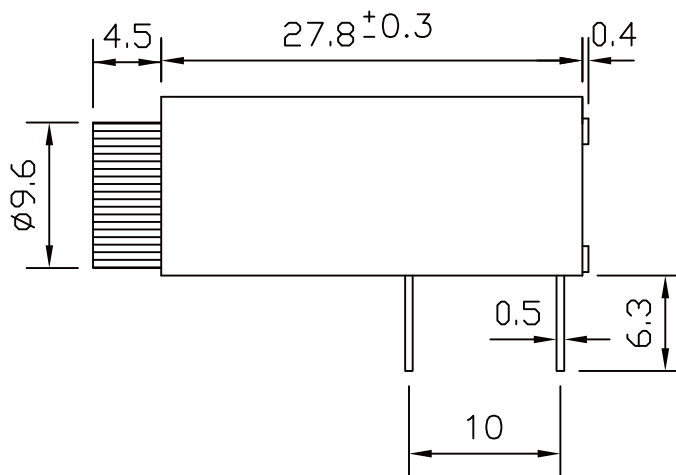
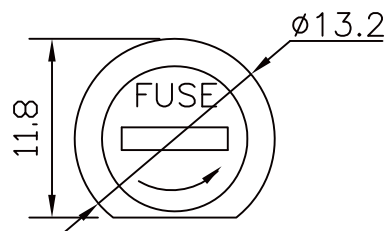


PANEL HOLE

RATING: 6.3A/250VAC



USED FOR : $\phi 5.2 \times 20$

RoHS Compliant

TOLERANCES ARE

MORETHANALL
PCB CONNECTORS
Cable ASSEMBLIES

DRAWING BY CY

X.±

CHECKED BY GENIUS

.X±

UNIT / mm

SCALE 1:1

.XX±

DATE

.XXX±

ANG±

SIZE A4

P PROJECTION

照片框

ORDER INFORMATION

FSH-UR10-5X20-LF

SERIES

LEADFREE

5X20mm

FOOT DISTANCE 10.0mm

DIP 90°

UPRIGHT

煜倫股份有限公司

www.morethanall.com

DESCRIPTION: FUSE HOLDER