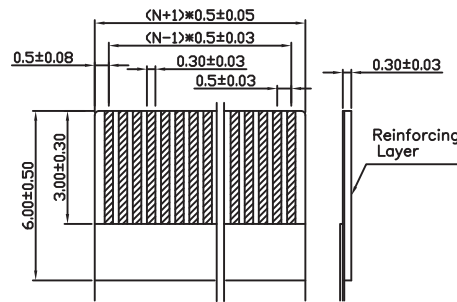


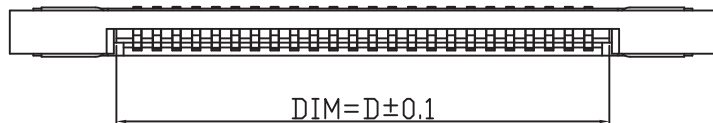
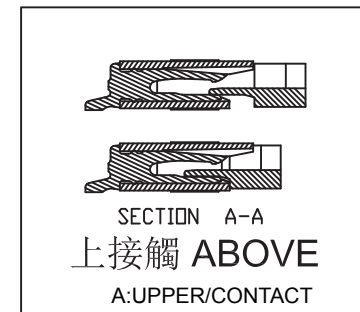
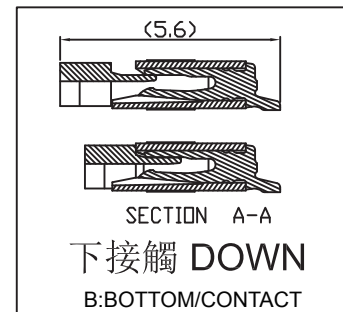
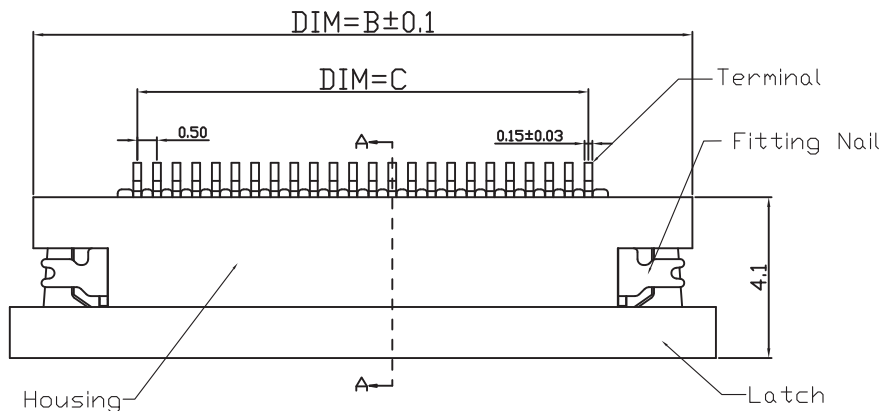
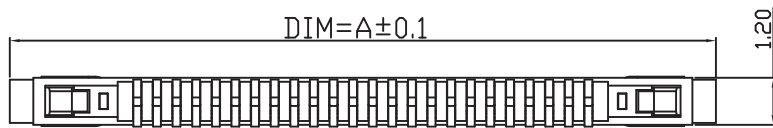
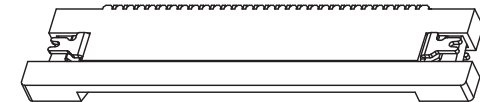
PCB LAYOUT



RECOMMENDED FFC/FPC DIM.

Material:

- 1.1 Housing: thermoplastic high temp. UL94V-0; Color: Natural.
- 1.2 Latch: thermoplastic high temp. UL94V-0; Color: Black.
- 1.3 Terminal: Copper Alloy.
- 1.4 Fitting Nail: Copper Alloy.



PIN NO.	DIM. A	DIM. B	DIM. C	DIM. D
N=4~60	0.5xN+6.0	0.5xN+4.8	0.5x(N-1)	0.5xN+0.6

RoHS Compliant

TOLERANCES ARE

MORETHANALL
PCB CONNECTORS
Cable ASSEMBLIES

煜倫股份有限公司

www.morethanall.com

DRAWING BY CY

CHECKED BY GENIUS

UNIT / mm SCALE 1 : 1

DATE

SIZE A4

X, ±
.X ± 0.20
.XX ± 0.15
.XXX ± 0.10
ANG ±

PJECTION

照片框

ORDER INFORMATION

FPV-WZx12-xx-LF
SERIES | | | LEADFREE
| | | 04~60WAY
| | | HIGH 1.2mm
90°SMT | | | A:UPPER/CONTACT
ZIF | | | B:BOTTOM/CONTACT

DESCRIPTION:0.5mm ZIF FPC CONNECTOR SMT R/A TYPE H=1.2