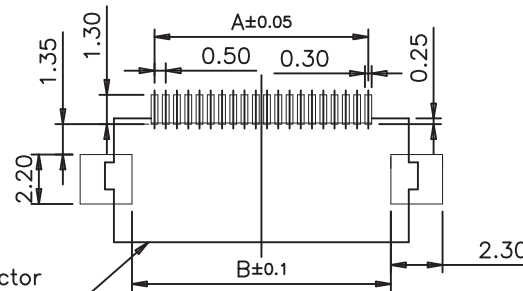


Applicable FPC/FFC  
recommended dimension



Recommended PCB layout  
component side

Pin	Part Name	Dimension			
		A	B	D	E
4	FPV-WHB21R-04	1.50	3.50	2.50	7.25
8	FPV-WHB21R-08	3.50	5.50	4.50	9.25
10	FPV-WHB21R-10	4.50	6.50	5.50	10.25
12	FPV-WHB21R-12	5.50	7.50	6.50	11.25
14	FPV-WHB21R-14	6.50	8.50	7.50	12.25
16	FPV-WHB21R-16	7.50	9.50	8.50	13.25
18	FPV-WHB21R-18	8.50	10.50	9.50	14.25
20	FPV-WHB21R-20	9.50	11.50	10.50	15.25
22	FPV-WHB21R-22	10.50	12.50	11.50	16.25
24	FPV-WHB21R-24	11.50	13.50	12.50	17.25
26	FPV-WHB21R-26	12.50	14.50	13.50	18.25
28	FPV-WHB21R-28	13.50	15.50	14.50	19.25
30	FPV-WHB21R-30	14.50	16.50	15.50	20.25
32	FPV-WHB21R-32	15.50	17.50	16.50	21.25
33	FPV-WHB21R-33	16.00	18.00	17.00	21.75
34	FPV-WHB21R-34	16.50	18.50	17.50	22.25
36	FPV-WHB21R-36	17.50	19.50	18.50	23.25
38	FPV-WHB21R-38	18.50	20.50	19.50	24.25
40	FPV-WHB21R-40	19.50	21.50	20.50	25.25
45	FPV-WHB21R-45	22.00	24.00	23.00	27.75
50	FPV-WHB21R-50	24.50	26.50	25.50	30.25
54	FPV-WHB21R-54	26.50	28.50	27.50	32.25
55	FPV-WHB21R-55	27.00	29.00	28.00	32.75
60	FPV-WHB21R-60	29.50	31.50	30.50	35.25

Notes:

Housing : Thermalplastic, UL 94V-0 NY46 TS250F8 NC  
 Cover : Thermalplastic, UL 94V-0 PA9T GN2330 BK  
 Contact : Phosphor bronze  
 Fitting nail : Copper alloy  
 Tin plated 100~200u", Nickel 50~100u"over all  
 OPERATING TEMPERATURE: :-40°C ~+85°C

RoHS Compliant

TOLERANCES ARE

**MORETHANALL**  
PCB CONNECTORS  
Cable ASSEMBLIES

DRAWING BY CY

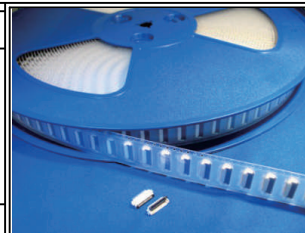
CHECKED BY GENIUS

UNIT/ mm SCALE 1:1

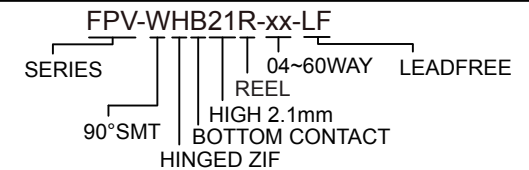
DATE

SIZE A4 PPROJECTION

X. ±  
 .X ±  
 .XX ±  
 .XXX ±  
 ANG ±



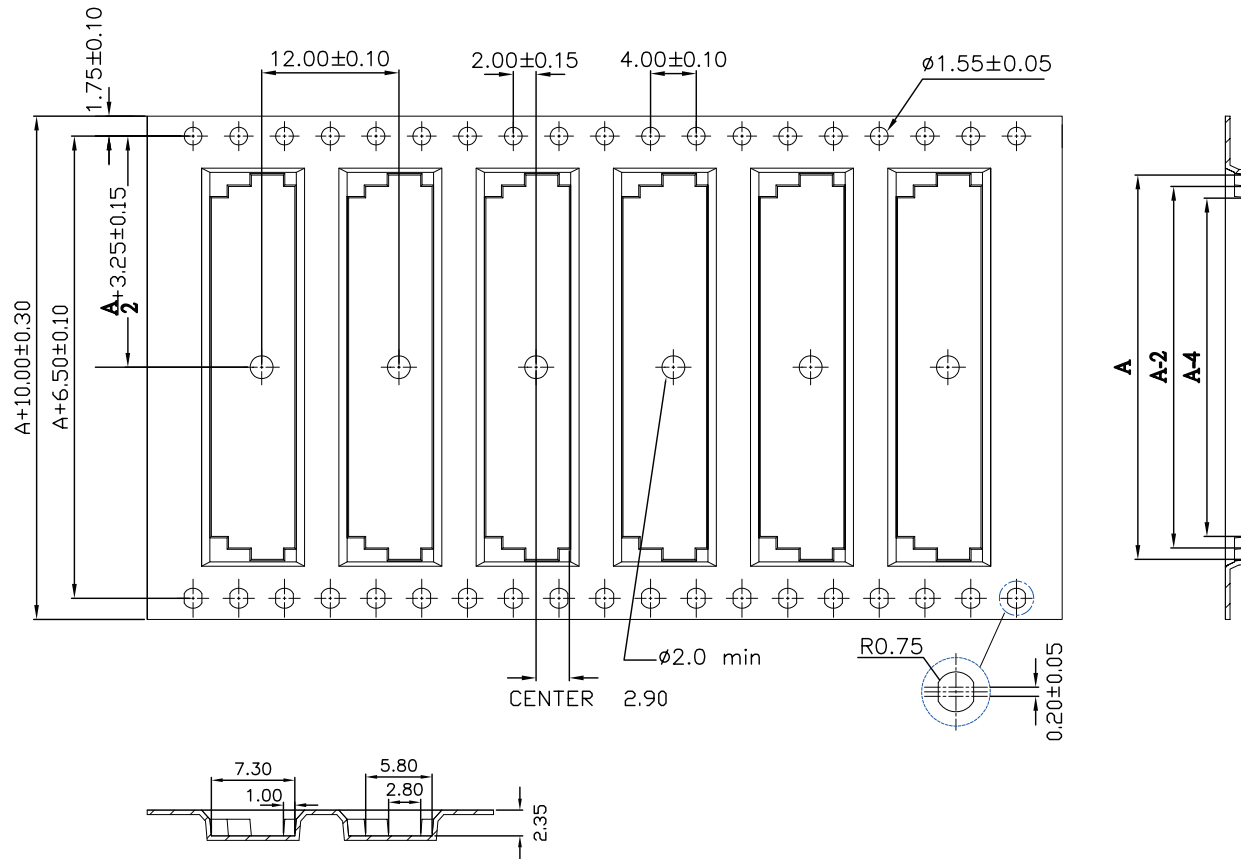
ORDER INFORMATION



DESCRIPTION: FPC 0.5 PITCH 2.0H 掀蓋式 CONNECT

煜倫股份有限公司

www.morethanall.com



1. 10 sprocket hole pitch cumulative tolerance  $\pm 0.20$ .
2. Carrier camber is within 1 mm in 100mm.
3. Material: Black Conductive Polystyrene Alloy (UP-5000).
4. All dimensions meet EIA-481-3 requirements.
5. Thickness:  $0.3\pm 0.05$ mm.
6. Packing length per 22" reel: 74.5 Meters.
7. Components load per 13" reel: 2000 pcs.

**RoHS Compliant**

TOLERANCES ARE

**MORETHANALL**  
PCB CONNECTORS  
Cable ASSEMBLIES

DRAWING BY CY

CHECKED BY GENIUS

UNIT/ mm

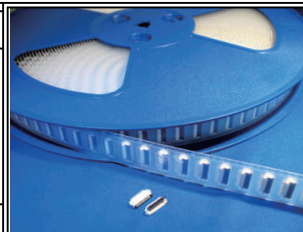
SCALE 1:1

DATE

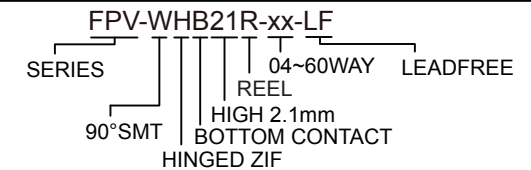
SIZE A4

PPOJECTION

X.  $\pm$   
.X  $\pm$   
.XX  $\pm$   
.XXX  $\pm$   
ANG  $\pm$



**ORDER INFORMATION**



DESCRIPTION: FPC 0.5 PITCH 2.0H 掀蓋式 CONNECT

煜倫股份有限公司

www.morethanall.com