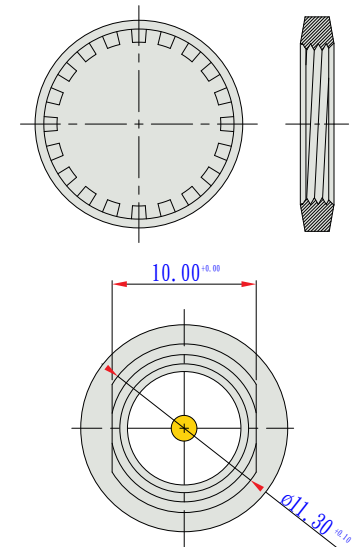


**SPECIFICATION**

STYLE	105°C 30V UL1979	SIZE	RG-316/U
STANDARD : MIL-C-17			
Conductor	Size	AWG	26
	Material	----	Silver-Coated Copper Clad Steel
	Conductors No.	----	7
	Conductors Size	mm	0.175
	O. D.	mm	0.53
Insulation	Average Thickness	mm	0.51
	Diameter	mm	1.53 ± 0.03
	Material	----	FEP
Braid	Color	----	Clear
	Material	----	Silver-Coated Copper
	Construction	mm	16 / 5 / 0.10
Jacket	Coverage	%	95
	Average Thickness	mm	0.30
	Diameter	mm	2.53±0.10
	Material	----	FEP
Color	----	----	----
Marking			
Drawing			

**SPECIFICATION**

Electrical & Physical Properties						
Item		RG-316/U				
Rating Temp Voltage		105°C 30V				
Conductor Resistance		302 OHM/KM/20°C MAX.				
Insulation Resistance		3000 MEGA OHM/KM MIN.				
Dielectric Strength		AC 1.0 KV/Minute				
Spark Test		5 KV				
Insulation	Unaged	Tensile Strength	2500 PSI MIN. ( 1.76 Kg /mm <sup>2</sup> )			
		Elongation	200% MIN.			
	Aged	Tensile Strength	UNAGED MIN. 75%(168HRS×232°C)			
		Elongation	UNAGED MIN. 75%(168HRS×232°C)			
Jacket	Unaged	Tensile Strength	2500 PSI MIN. ( 1.76 Kg /mm <sup>2</sup> )			
		Elongation	200% MIN.			
	Aged	Tensile Strength	UNAGED MIN. 75%(168HRS×232°C)			
		Elongation	UNAGED MIN. 75%(168HRS×232°C)			
Nom. Impedance		50 Ohms				
Nom. Capacitance		95.8 pF/m				
Nom. Vel. of Prop.		69.5%				
VSWR ( 0 - 6 GHZ )		Less 1.3				
Attenuation (dB/100m)	1MHz	100GHZ	1.8GHZ	2.4GHZ	5.2GHZ	6.0GHZ
	10.2	34.1	180	206	315	345



No.	DESCRIPTION	MATERIAL	QT' Y	FINISH	REMARK
6	WASHER	BRASS	1	NICKEL PLATED	or Equivalent
5	NUT	BRASS	1	NICKEL PLATED	or Equivalent
4	CONTACT PIN	BRASS	1	GOLD PLATED	or Equivalent
3	FERRULE	BRASS	1	NICKEL PLATED	or Equivalent
2	BODY	BRASS	1	NICKEL PLATED	or Equivalent
1	INSULATOR	TEFLON	1	NONE	or Equivalent

**RoHS Compliant**

**MORETHANALL**  
PCB CONNECTORS  
Cable ASSEMBLIES  
煜倫股份有限公司  
www.morethanall.com

DRAWING BY CY		TOLERANCES ARE X. ± .X ± .XX ± .XXX ± ANG ±
CHECKED BY GENIUS		
UNIT / mm	SCALE 1 : 1	
DATE		
SIZE A4	PJECTION	

照片框

**ORDER INFORMATION**

FME X1-1S1S316-M20C-LF  
SERIES | LEADFREE  
214mm  
MALE  
RG 316  
ST TO ST

DESCRIPTION: