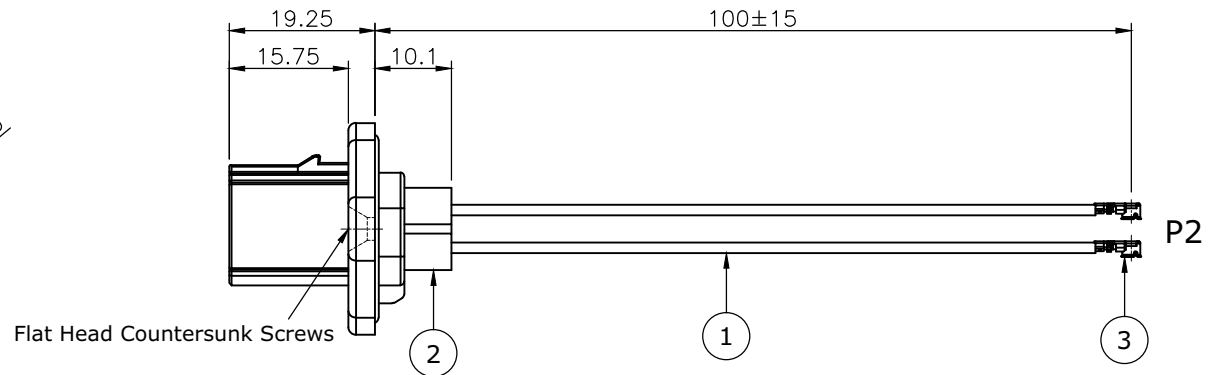


P1



Flat Head Countersunk Screws

SPECIFICATION

MECHANICAL:

1. INSERTION FORCE: $\leq 30N$ (FAKRA)
2. WITHDRAWAL FORCE: $\geq 5N$ (FAKRA)/ $\geq 3N$ (IPEX)
3. MATING CYCLES: 10(FAKRA)/ 30(IPEX)
4. WATERPROOF RATE: IP67(FAKRA, in mated condition)

ELECTRICAL CHARACTERISTIC:

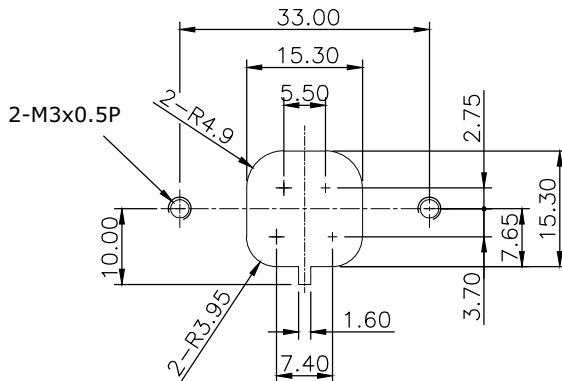
1. CHARACTERISTIC IMPEDANCE: 50Ω
2. FINISHED CABLE 100% CONDUCTIVITY TEST
3. INSULATION RESISTANCE: $\geq 100 M\Omega$

ENVIRONMENT CHARACTERISTIC:

1. OPERATING TEMPERATURE RANGE: $-40^{\circ}C$ TO $+90^{\circ}C$

NOTE:

ALL MATERIALS MUST BE USCAR-2 & USCAR-49 COMPLIANT



RECOMMEND PANEL CUT OUT

3	4PCS	CONN., I-PEX MHF, Gold plated
2	1PC	CONN., MINI FAKRA B 2x2 Plug, Gold plated 1u"
1	4PCS	CABLE, Micro Coaxial 30AWG, OD1.37, Grey
NO.	Q'ty	DESCRIPTION

RoHS Compliant

TOLERANCES ARE

MORETHANALL
PCB CONNECTORS
Cable ASSEMBLIES

DRAWING BY CY

X. ± 0.50

CHECKED BY GENIUS

.X ± 0.30

UNIT / mm

SCALE 1 : 1

.XX ± 0.20

.XXX ± 0.10

DATE

ANG \pm

SIZE A4

P PROJECTION

照片框

ORDER INFORMATION

FKMZMHFX14-4BS1R137PE-M10C-LF

SERIES

4 PIN B TYPE

180° TO 90°

OD 1.37

PANEL EAR

MALE

100mm

LEADFREE

煜倫股份有限公司

www.morethanall.com

DESCRIPTION: Mini FAKRA, Type B Plug(2x2) Panel Mount to I-PEX Cable, IP67, L=10 CM, Z Code