

RECOMMENDED PCB LAYOUT

SPECIFICATION:

1.MATERIAL:

HOUSING: LCP , UL 94V-0 , Black.

CONTACT: BRASS

SHELL: BRASS

2.Finish:

Contact: Plated Gold in Mating Area ;

Tin Plated on Solder Balls ;

Nickel under plated overall

Shell: Nickel under Plated surface layer

RoHS Compliant

TOLERANCES ARE

MORETHANALL
PCB CONNECTORS
Cable ASSEMBLIES

煜倫股份有限公司

www.morethanall.com

DRAWING BY CY

CHECKED BY GENIUS

UNIT / mm

SCALE 1 : 1

DATE

SIZE A4

PJECTION

Up to 5 \pm 0.2
Above 5 ~ 15 \pm 0.3
Above 15 ~ 30 \pm 0.4
Above 30 ~ 50 \pm 0.5
Angle \pm 0.3°

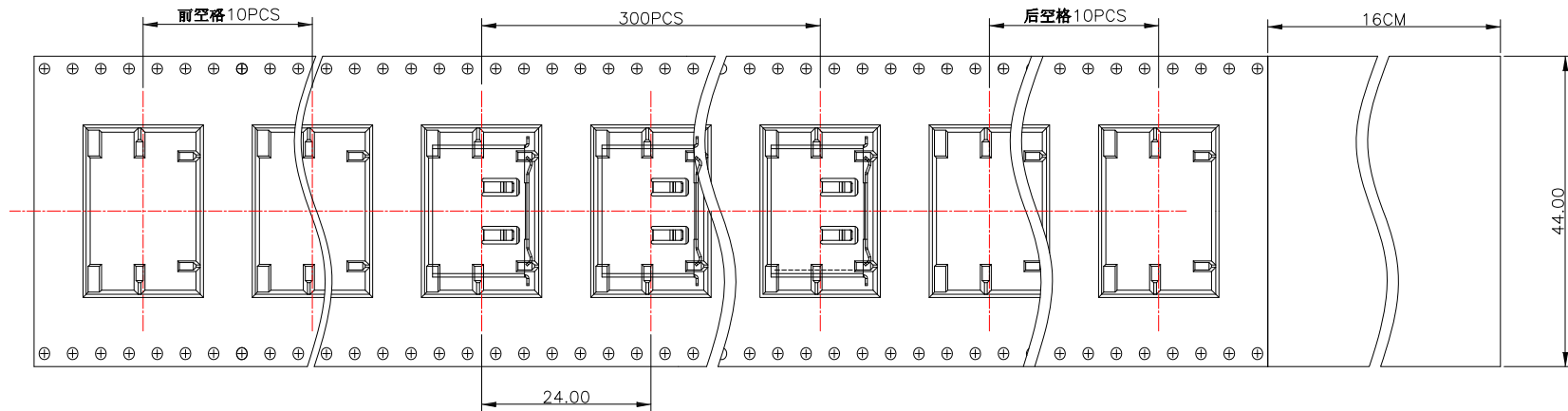
照片框

ORDER INFORMATION

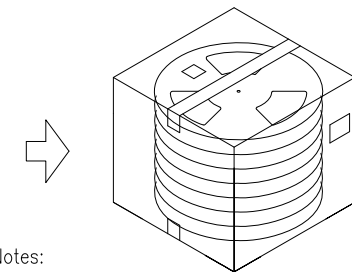
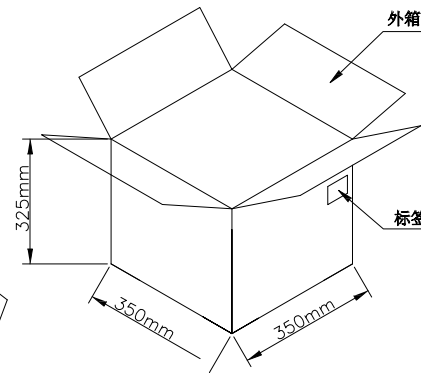
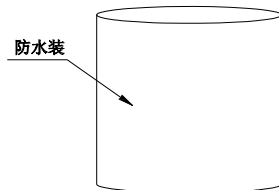
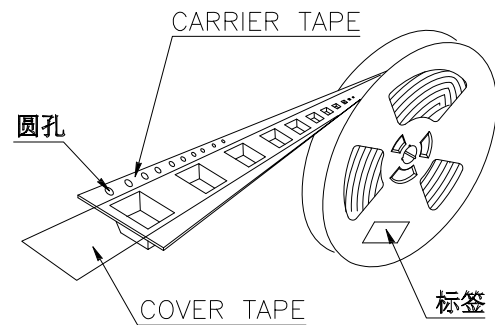
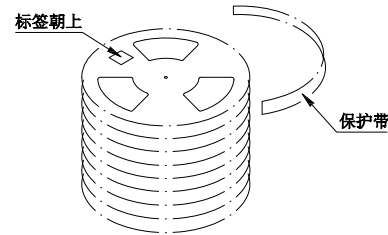
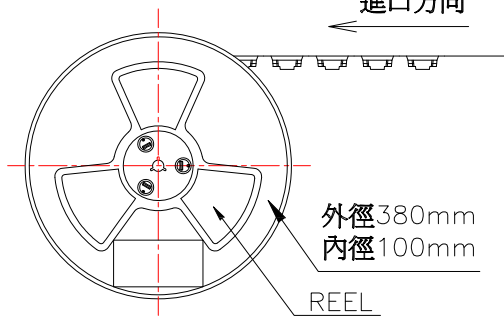
ESATA-PWBR-07-LF

SERIES LEADFREE
07 WAY
REEL
BOTTOM CONTACT
90°SMT
MALE

DESCRIPTION: ESATA 7P Male Front R/A DIP TYPE



進口方向



Notes:

1. Dimension:

CARTON: 400*400*325mm, (A=A) 1p

EDGE BOARD: 400*310mm, 4pcs

CLAPBOARD: 330*330mm, 2pcs

2. Quantity:

300PCS/REEL

6REELS/SHIPPING CARTON

1800PCS/SHIPPING CARTON

RoHS Compliant

TOLERANCES ARE

MORETHANALL
PCB CONNECTORS
Cable ASSEMBLIES

煜倫股份有限公司

www.morethanall.com

DRAWING BY CY

CHECKED BY GENIUS

UNIT / mm

SCALE 1 : 1

DATE

SIZE A4

Up to 5 ±0.2
Above 5 ~ 15 ±0.3
Above 15 ~ 30 ±0.4
Above 30 ~ 50 ±0.5
Angle ±0.3°

PJECTION

照片框

ORDER INFORMATION

ESATA-PWBR-07-LF

SERIES LEADFREE
07 WAY
REEL
BOTTOM CONTACT
90°SMT
MALE

DESCRIPTION: ESATA 7P Male Front R/A DIP TYPE