

Specifications & Ordering Information:

EL-P-3Xxx	Pcs/Bag	EL-S-3Xxx	Pcs/Bag
<p style="text-align: center;"><b>EL-P-3X03</b></p>	500	<p style="text-align: center;"><b>EL-S-3X03</b></p>	500
<p style="text-align: center;"><b>EL-P-3X04</b></p>	300	<p style="text-align: center;"><b>EL-S-3X04</b></p>	300
<p style="text-align: center;"><b>EL-P-3X05</b></p>	300	<p style="text-align: center;"><b>EL-S-3X05</b></p>	300

**RoHS Compliant**

TOLERANCES ARE

**MORETHANALL**  
PCB CONNECTORS  
Cable ASSEMBLIES

DRAWING BY CY

X.±

CHECKED BY GENIUS

.X±

UNIT / mm

SCALE 1 : 1

.XX±

DATE

.XXX±

ANG ±

SIZE A4

P PROJECTION

照片框

**ORDER INFORMATION**

EL-P(S)-3Xxx-LF  
SERIES | LEADFREE  
3X03:09WAY  
3X05:15WAY  
P:MALE  
S:FEMALE

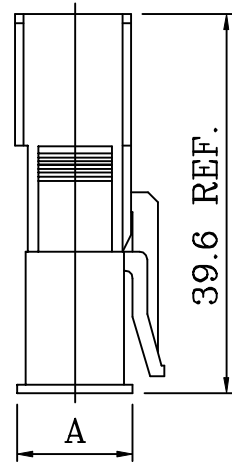
DESCRIPTION:

煜倫股份有限公司

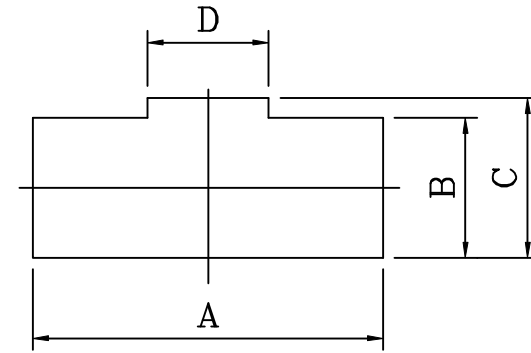
www.morethanall.com

## Assembly Layout

Circuits	Dimensions
	A
3X3	19.4
3X4	19.4
3X5	19.4



## Panel Hole Layout



## Specifications:

Poles	2~15 Poles
Pitch between poles	4.50mm
Rated Voltage	250V AC,DC
Rated Current	5A
Withstand Voltage	800V AC/minute
Contact Resistance	10mΩ (MAX.)
Insulation Resistance	1,000MΩ (MIN.)
Temperature Range	-25°~+65°C
Applicable Panel Thickness	0.8~2.0mm
Applicable Wire Range	AWG #20~#24

Circuits	Part No	Panel Layout(Dimensions)			
		A	B	C	D
3X3	EL-P(S)-3X03	19.7	14.8	15.70	5.2
3X4	EL-P(S)-3X04	24.2	14.8	15.70	5.2
3X5	EL-P(S)-3X05	28.7	14.8	15.70	5.2

RoHS Compliant

TOLERANCES ARE

**MORETHANALL**  
PCB CONNECTORS  
Cable ASSEMBLIES

DRAWING BY CY

X. ±

CHECKED BY GENIUS

.X ±

UNIT / mm

SCALE 1 : 1

.XX ±

DATE

.XXX ±

ANG ±

SIZE A4

P PROJECTION

照片框

ORDER INFORMATION

EL-P(S)-3Xxx-LF  
SERIES | LEADFREE  
3X03:09WAY  
3X05:015WAY  
P:MALE  
S:FEMALE

煜倫股份有限公司

www.morethanall.com

DESCRIPTION: