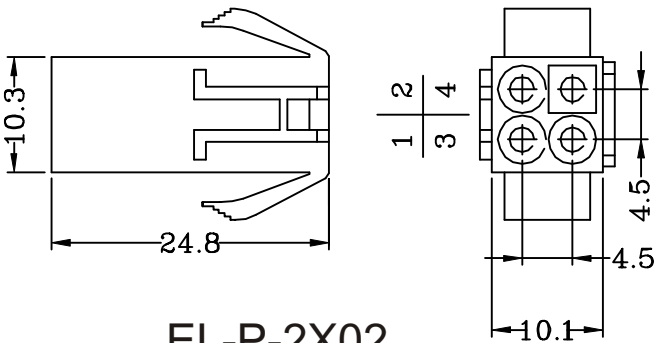
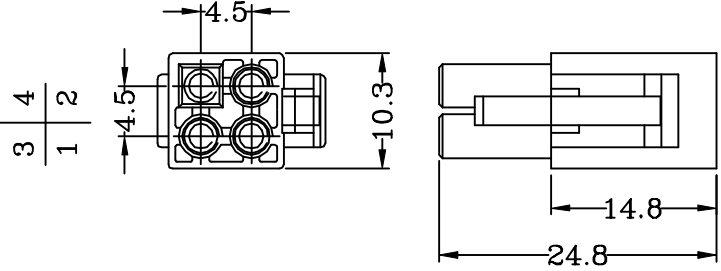
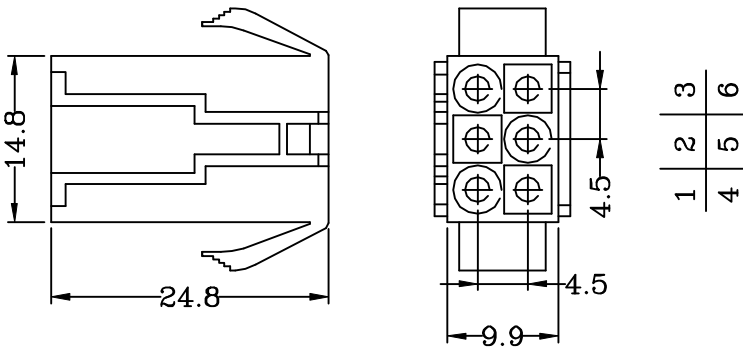
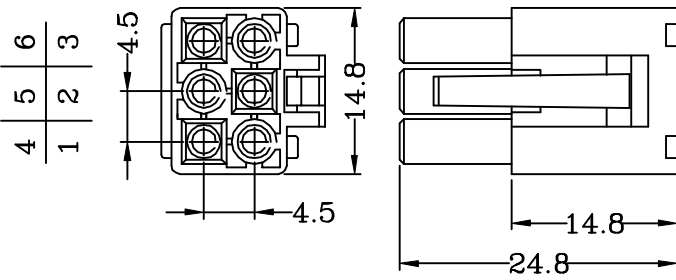


Specifications & Ordering Information

EL-P-2Xxx	Pcs/Bag	EL-S-2Xxx	Pcs/Bag
 <p style="text-align: center;">EL-P-2X02</p>	500	 <p style="text-align: center;">EL-S-2X02</p>	500
 <p style="text-align: center;">EL-P-2X03</p>	500	 <p style="text-align: center;">EL-S-2X03</p>	500

RoHS Compliant

TOLERANCES ARE

MORETHANALL
PCB CONNECTORS
Cable ASSEMBLIES

DRAWING BY CY

CHECKED BY GENIUS

UNIT / mm SCALE 1 : 1

DATE

SIZE A4 PPROJECTION

X: ±
.X ±
.XX ±
.XXX ±
ANG ±

照片框

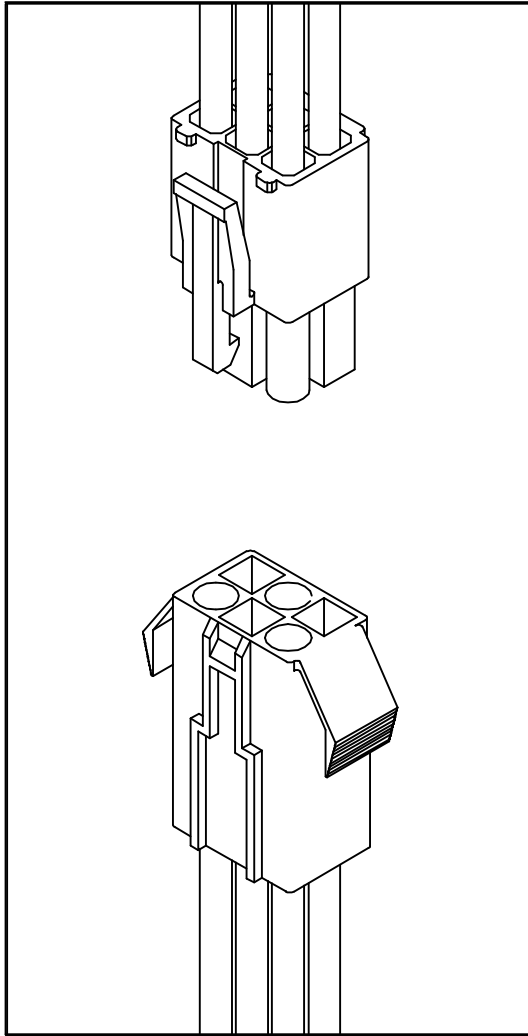
ORDER INFORMATION

EL-P(S)-2Xxx-LF
SERIES | LEADFREE
2X02:04WAY
2X03:06WAY
P:MALE
S:FEMALE

煜倫股份有限公司

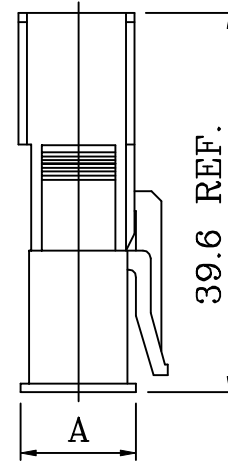
www.morethanall.com

DESCRIPTION:

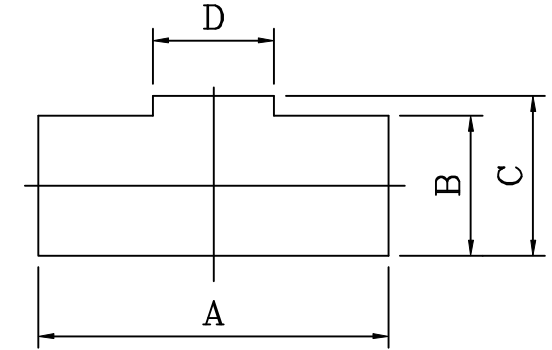


Assembly Layout

Circuits	Dimensions
	A
2X2	15.2
2X3	14.9



Panel Hole Layout



Specifications:

Poles	2~15 Poles
Pitch between poles	4.50mm
Rated Voltage	250V AC,DC
Rated Current	5A
Withstand Voltage	800V AC/minute
Contact Resistance	10mΩ (MAX.)
Insulation Resistance	1,000MΩ (MIN.)
Temperature Range	-25~+65°C
Applicable Panel Thickness	0.8~2.0mm
Applicable Wire Range	AWG #20~#24

Circuits	Part No	Panel Layout(Dimensions)			
		A	B	C	D
2X2	EL-P(S)-2X02	15.6	10.6	11.60	5.2
2X3	EL-P(S)-2X03	19.7	10.2	11.10	5.2

RoHS Compliant

TOLERANCES ARE

MORETHANALL
PCB CONNECTORS
Cable ASSEMBLIES

DRAWING BY CY

X. ±

CHECKED BY GENIUS

.X ±

UNIT / mm

SCALE 1 : 1

.XX ±

DATE

.XXX ±

ANG ±

SIZE A4

PJECTION

照片框

ORDER INFORMATION

EL-P(S)-2Xxx-LF
SERIES | LEADFREE
2X02:04WAY
2X03:06WAY
P:MALE
S:FEMALE

煜倫股份有限公司

www.morethanall.com

DESCRIPTION: