

Specifications & Ordering Information:

EL-P-1Xxx	Pcs/Bag	EL-S-1X xx	Pcs/Bag
<p>EL-P-1X02</p>	1000	<p>EL-S-1X 02</p>	1000
<p>EL-P-1X03</p>	1000	<p>EL-S-1X 03</p>	1000
<p>EL-P-1X04</p>	500	<p>EL-S-1X 04</p>	500

Features:

- * Available in 2 through 15 circuits
- * Material: Nylon 66 UL 94V-0

RoHS Compliant

TOLERANCES ARE

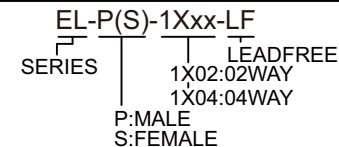
MORETHANALL
PCB CONNECTORS
Cable ASSEMBLIES
煜倫股份有限公司
www.morethanall.com

DRAWING BY CY	
CHECKED BY GENIUS	
UNIT / mm	SCALE 1 : 1
DATE	
SIZE A4	P PROJECTION

X. ±
.X ±
.XX ±
.XXX ±
ANG ±

照片框

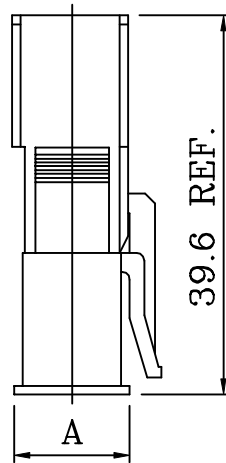
ORDER INFORMATION



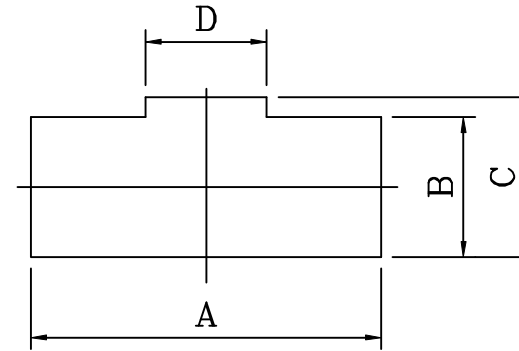
DESCRIPTION:

Assembly Layout

Circuits	Dimensions
	A
1X2	10.4
1X3	10.4
1X4	10.4



Panel Hole Layout



Specifications:

Poles	2~15 Poles
Pitch between poles	4.50mm
Rated Voltage	250V AC,DC
Rated Current	5A
Withstand Voltage	800V AC/minute
Contact Resistance	10mΩ (MAX.)
Insulation Resistance	1,000MΩ (MIN.)
Temperature Range	-25~+65°C
Applicable Panel Thickness	0.8~2.0mm
Applicable Wire Range	AWG #20~#24

Circuits	Part No	Panel Layout(Dimensions)			
		A	B	C	D
1X2	EL-P(S)-1X02	15.0	6.0	6.85	5.2
1X3	EL-P(S)-1X03	19.7	6.0	6.85	5.2
1X4	EL-P(S)-1X04	24.2	6.0	6.85	5.2

RoHS Compliant

TOLERANCES ARE

MORETHANALL
PCB CONNECTORS
Cable ASSEMBLIES

煜倫股份有限公司

www.morethanall.com

DRAWING BY CY

CHECKED BY GENIUS

UNIT / mm

SCALE 1 : 1

DATE

SIZE A4

P PROJECTION

X ±
.X ±
.XX ±
.XXX ±
ANG ±

照片框

ORDER INFORMATION

EL-P(S)-1Xxx-LF
SERIES | LEADFREE
1X02:02WAY
1X04:04WAY
P:MALE
S:FEMALE

DESCRIPTION: