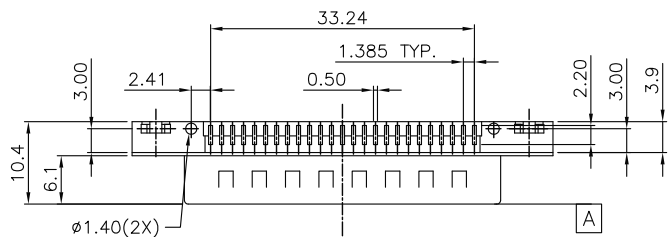
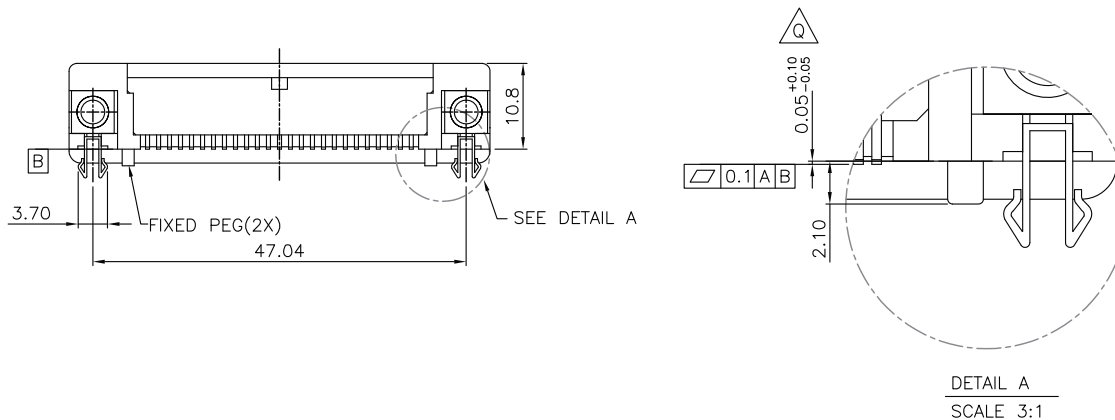


- NOTES:
- MATERIAL:
    - HOUSING:HIGH TEMP THERMOPLASTIC,UL94V-0,BLACK COLOR
    - TERMINAL:PHOSPHOR BRONZE
    - METAL SHELL:SPCC
    - BOARD LOCK & NUT:BRASS
  - PLATING:
    - TERMINAL:
      - CONTACT AREA:SELECTIVE GOLD(Au) PLATING
      - SOLDER TAIL:TIN(Sn),THICKNESS=100 MICROINCH MIN.(2.54 MICROINCH MIN.)
      - UNDER PLATE:NICKEL(Ni),THICKNESS=50 MICROINCH MIN.(1.27 MICROMETER MIN.)
    - METAL SHELL:
      - NICKEL(Ni),THICKNESS=80 MICROINCH MIN.(2.032 MICROMETER MIN.)
      - UNDER PLATE:COPPER(Cu),THICKNESS=40 MICROINCH MIN.(1.016 MICROMETER MIN.)
    - BOARD LOCK:
      - TIN(Sn),THICKNESS=80 MICROINCH MIN.(2.032 MICROMETER MIN.)
      - UNDER PLATE:NICKEL(Ni),THICKNESS=50 MICROINCH MIN.(1.27 MICROMETER MIN.)
    - NUT:NICKEL(Ni),THICKNESS=50 MICROINCH MIN.(1.27 MICROMETER MIN.)
  - RECOMMENDED PCB THICKNESS:1.60±0.05mm



RoHS Compliant

TOLERANCES ARE

**MORETHANALL**  
PCB CONNECTORS  
Cable ASSEMBLIES

DRAWING BY CY

CHECKED BY GENIUS

UNIT / mm

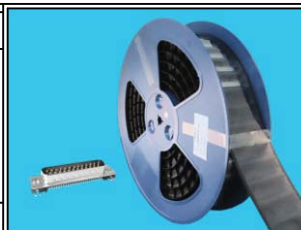
SCALE 1 : 1

DATE

SIZE A4

PJECTION

X, ±  
.X ± 0.30  
.XX ± 0.20  
.XXX ± 0.10  
ANG ± 1°



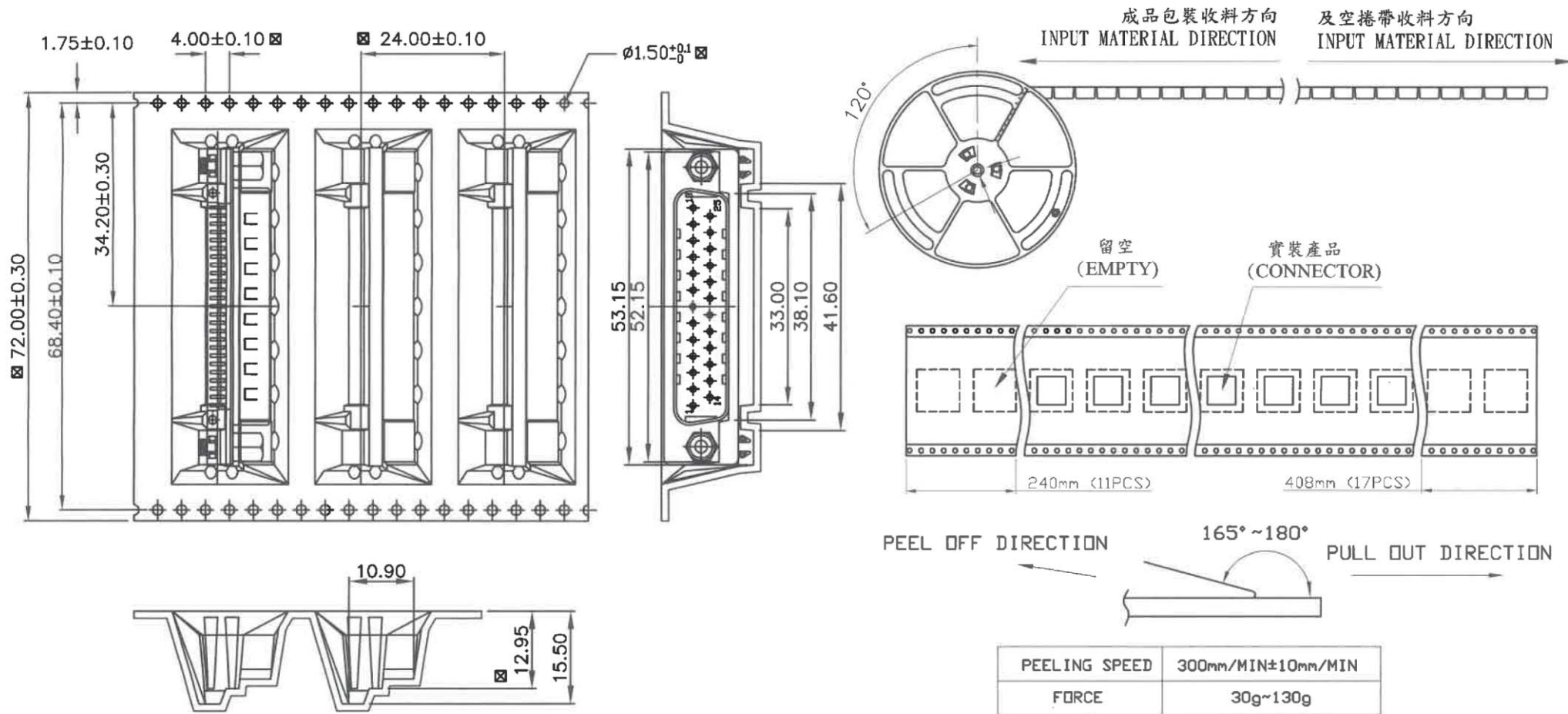
ORDER INFORMATION

DW-PNZ2R-25-LF  
SERIES | CLIP | NUT | MALE | LEADFREE | 25 WAY | REEL

DESCRIPTION: D SUBMINIATURE, RIGHT ANGLE SURFACE-MOUNT LOW PROFILE POSITION, MALE

煜倫股份有限公司

www.morethanall.com



1. Material : Black PS
2. Carrier camber is within 1 mm in 250 mm.
3. Packing length per 22" reel : 13.8Meters.
4. Packing length per 13" reel : 4.6 Meters.
5. Component load per 13" reel :150 pcs.

RoHS Compliant

TOLERANCES ARE

**MORETHANALL**  
PCB CONNECTORS  
Cable ASSEMBLIES

DRAWING BY CY

CHECKED BY GENIUS

UNIT / mm

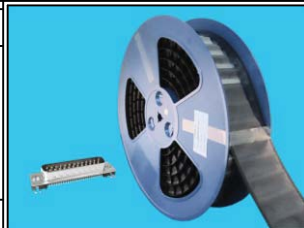
SCALE 1 : 1

DATE

SIZE A4

PJECTION

X, ±  
.X ± 0.30  
.XX ± 0.20  
.XXX ± 0.10  
ANG ± 1°



ORDER INFORMATION

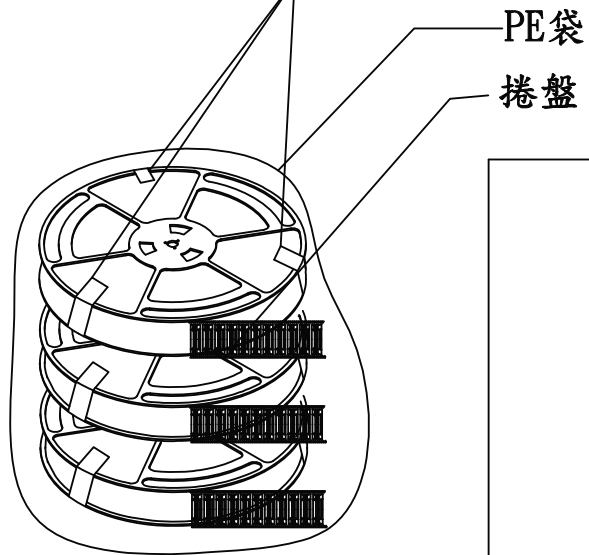
DW-PNZ2R-25-LF  
SERIES | CLIP | NUT | MALE  
LEADFREE  
25 WAY  
REEL

DESCRIPTION: D SUBMINIATURE, RIGHT ANGLE SURFACE-MOUNT LOW PROFILE POSITION, MALE

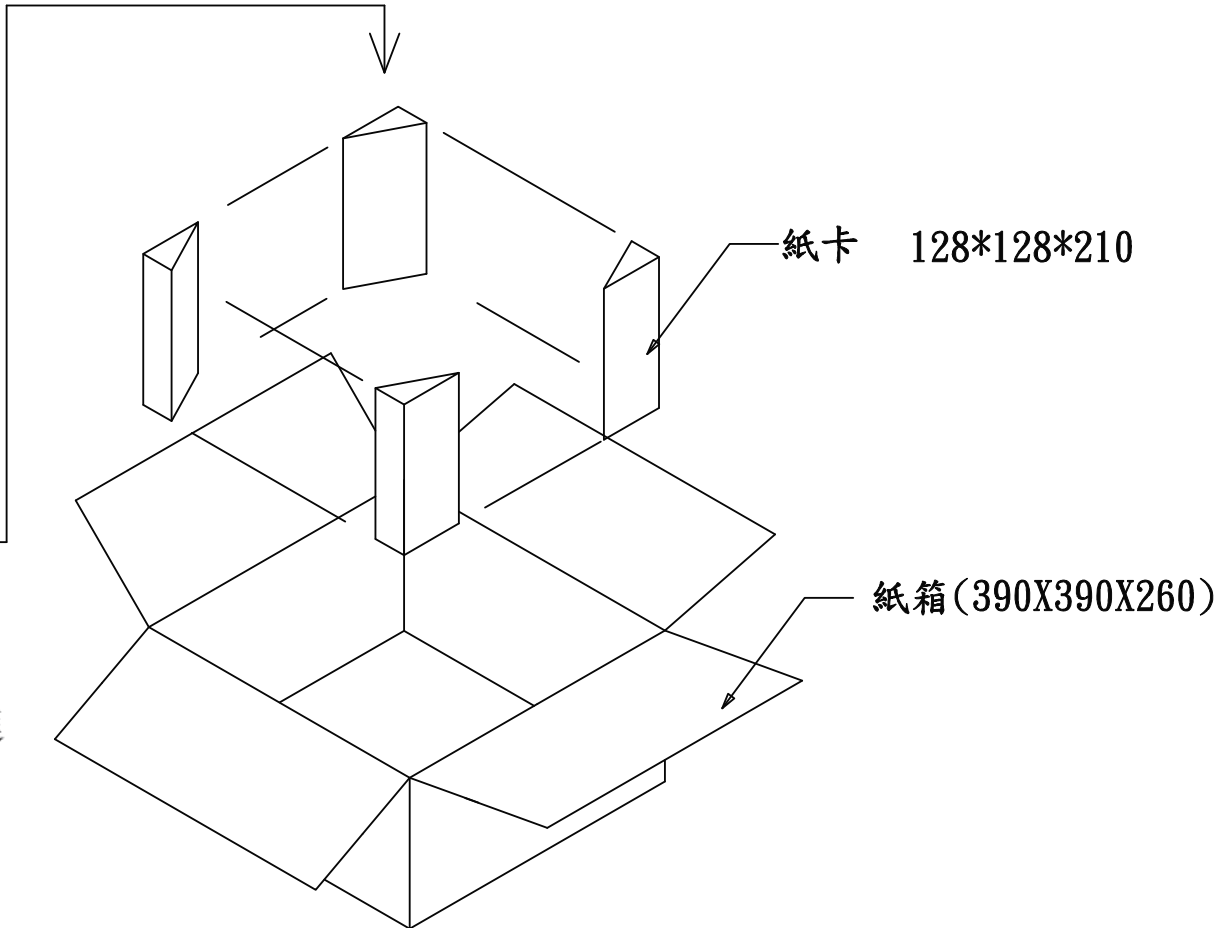
煜倫股份有限公司

www.morethanall.com

捲盤外圈增加3處透明膠帶固定



FOR PRODUCT PART NO	PARTS PER CARTON (S, P, Q)	PARTS PER PEEL	TOTAL PEELS PER CARTON
DW-PNZ2R-25	450	150	3



裝滿成品的卷盤放進PE袋內, 然後加入乾燥機, 抽真空后再放進外箱內.

RoHS Compliant

TOLERANCES ARE

**MORETHANALL**  
PCB CONNECTORS  
Cable ASSEMBLIES  
煜倫股份有限公司

DRAWING BY CY

CHECKED BY GENIUS

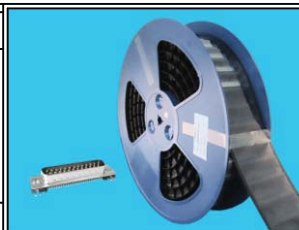
UNIT / mm SCALE 1:1

DATE

SIZE A4

X, ±  
.X ± 0.30  
.XX ± 0.20  
.XXX ± 0.10  
ANG ± 1°

PJECTION



ORDER INFORMATION

DW-PNZ2R-25-LF  
SERIES | REEL | CLIP | NUT | MALE  
LEADFREE  
25 WAY

DESCRIPTION: D SUBMINIATURE, RIGHT ANGLE SURFACE-MOUNT LOW PROFILE POSITION, MALE

www.morethanall.com