

MATERIAL:

INSULATOR : PBT+30% GLASS FIBER (UL 94V-0) BLACK.

CONTACT MATERIAL : BRASS.

CONTACT FINISH : GOLD OVER NICKEL.

SHELL FINISH : STEEL NICKEL PLATED.

SPECIFICATION:

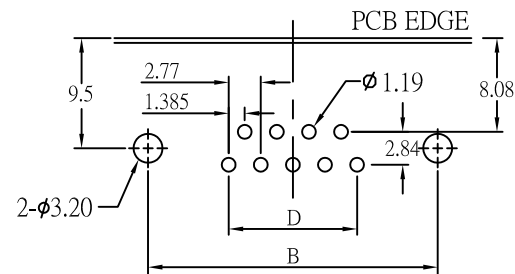
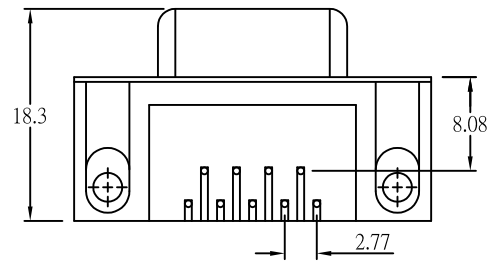
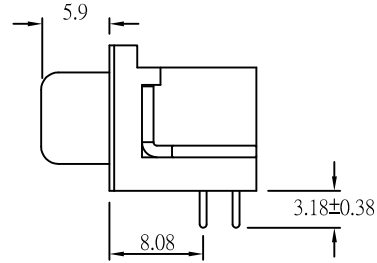
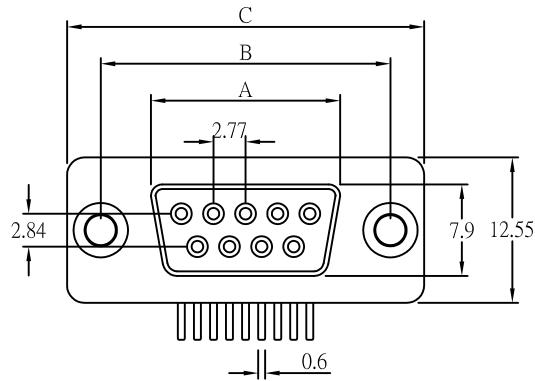
CURRENT RATING : 5 AMP

DIELECTRIC WITHSTANDING VOLTAGE : 1000V PER MINUTE.

INSULATION RESISTANCE : 1000MΩ MIN. AT 500V DC.

CONTACT RESISTANCE : 15mΩ MAX. 10 SES.

OPERATING TEMPERATURE : -55°C ~ +105°C.



SHELL SIZE	Dim A ± 0.20	Dim B ± 0.25	Dim C ± 0.38	Dim D
09 pin	16.33	24.99	30.80	11.08
15 pin	24.66	33.32	39.10	19.39
25 pin	38.38	47.04	53.00	33.24
37 pin	54.84	63.50	69.32	49.86

RoHS Compliant

TOLERANCES ARE

MORETHANALL
PCB CONNECTORS
Cable ASSEMBLIES

DRAWING BY CY

X. ±

CHECKED BY GENIUS

.X ±

UNIT / mm

SCALE 1 : 1

.XX ±

DATE

.XXX ±

ANG ±

SIZE A4

PPOJECTION

照片框

ORDER INFORMATION

DR-SSLN-xx-LF
SERIES | | | | | LEADFREE
NUT
L TYPE
SEMI GOLD
FEMALE

DESCRIPTION: D-SUB CONN.RIGHT ANGLE, FEMALE FOOTPRINT : 8.08mm

煜倫股份有限公司

www.morethanall.com