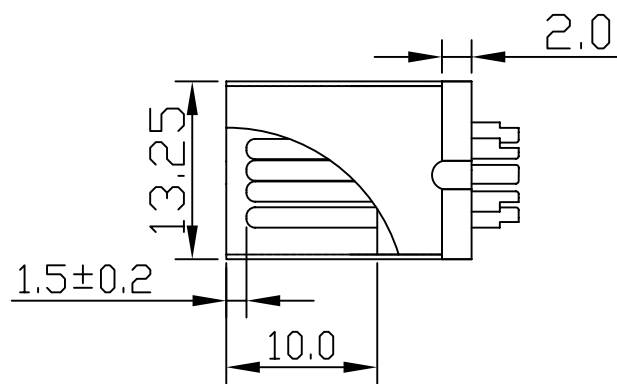
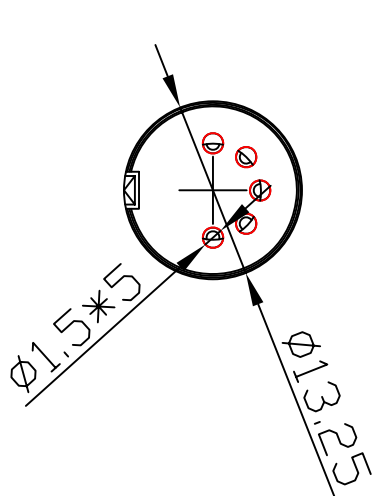


材质要求:

1. 铜管: H65 黄铜管厚度
0.325*13.25*16mm 镀镍
2. 主体塑胶: 黑P.B.T加纤 不防火
3. 端子: 1.5*20 黄铜镀镍
4. 塑胶不能有毛边
5. 铜管不能有电镀不良或电镀层脱落



RoHS Compliant

TOLERANCES ARE

MORETHANALL
PCB CONNECTORS
Cable ASSEMBLIES

煜倫股份有限公司

www.morethanall.com

DRAWING BY CY

CHECKED BY GENIUS

UNIT / mm

SCALE 1:1

DATE

SIZE A4

X, ±
.X ± 0.30
.XX ± 0.20
.XXX ± 0.10
ANG ± 1°

P PROJECTION

照片框

ORDER INFORMATION

DM-P-05-LF
SERIES | LEADFREE
05 WAY
MALE

DESCRIPTION: 大 DIN 5P公 车针 点沟 (不通边)