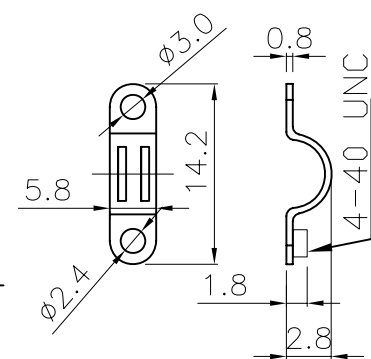
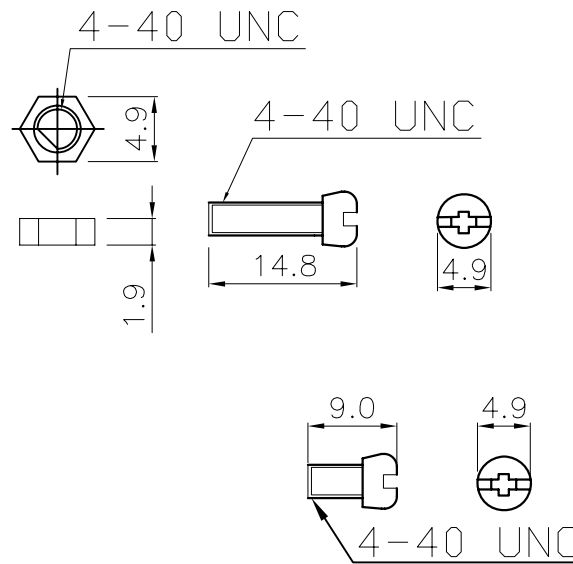
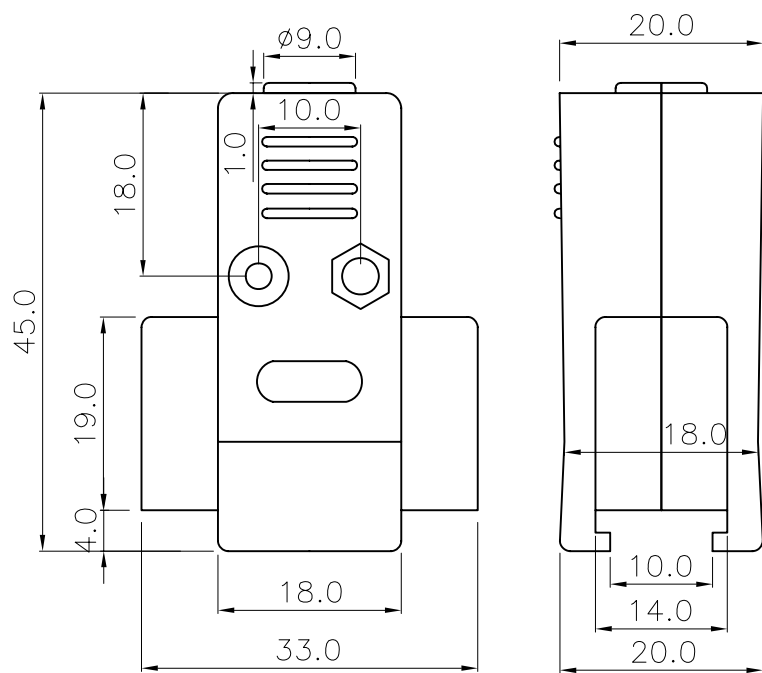


MATERIAL:
INSULATOR : ABS UL94HB
SCREW: STEEL



RoHS Compliant

TOLERANCES ARE

MORETHANALL
PCB CONNECTORS
Cable ASSEMBLIES

煜倫股份有限公司

www.morethanall.com

DRAWING BY CY

CHECKED BY GENIUS

UNIT / mm SCALE 1 : 1

DATE

SIZE A4

X. ± 0.50

.X ± 0.30

.XX ± 0.20

.XXX \pm

ANG \pm

PPOJECTION

照片框

ORDER INFORMATION

DHL-x1-09-LF

SERIES | LEADFREE
09WAY

K:BLACK SINGLE PACKING

G:GRAY

B:BEIGE

C:CHROMATE

DESCRIPTION: