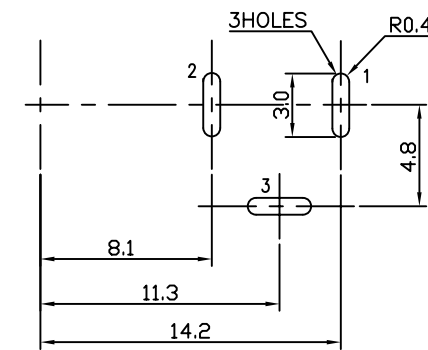
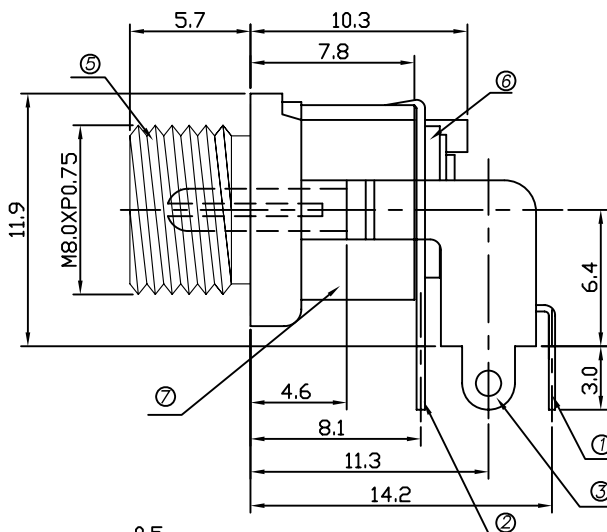
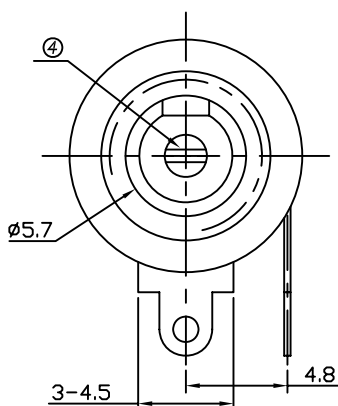
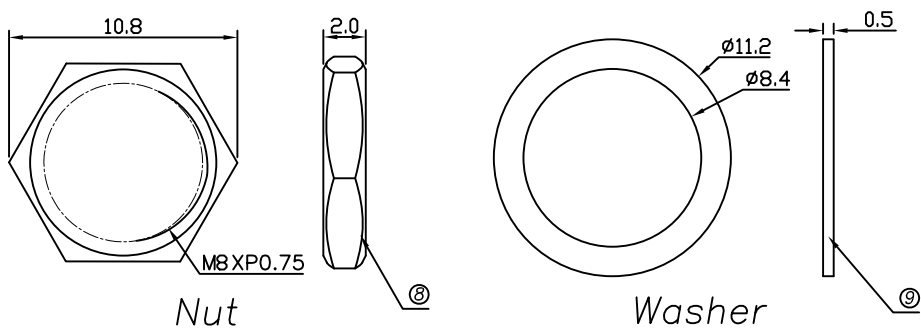


CAT NO.	PIN	SCHEMATIC
DCJ-RPBT5NW-20	Ø2.0	



T:1.6 Dimensions of PC board holes  
Tolerance : ±0.05(Printed-Top view)



9	WASHER	1	H59(COPPER ALLOY)	Ni PLATED
8	NUT	1	H59(COPPER ALLOY)	Ni PLATED
7	HOUSING	1	PBT 4815	UL-94V0(BLACK)
6	INSULATOR	1	PF	
5	AXIS SUPPORT	1	H59(COPPER ALLOY)	Ni PLATED
4	PIN	1	H59(COPPER ALLOY)	Ni PLATED
3	SHUNT TERMIALNL	1	C2680	Sn PLATED
2	TIP SPRING	1	C5191	Sn PLATED
1	CENTER PIN TERMINAL	1	C2680	Sn PLATED
LTR	PART NAME	QTY	MATERIAL	REMARK

UNLESS OTHERWISE SPECIFIED, TOLERANCE ON DECIMAL:±0.3

RoHS Compliant

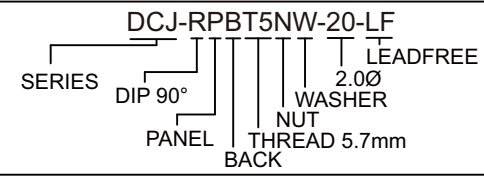
TOLERANCES ARE

**MORETHANALL**  
PCB CONNECTORS  
Cable ASSEMBLIES  
煜倫股份有限公司  
www.morethanall.com

DRAWING BY	CY	X, ±
CHECKED BY	GENIUS	.X ±
UNIT / mm	SCALE 1 : 1	.XXX ±
DATE		ANG ±
SIZE A4	P PROJECTION	



ORDER INFORMATION



DESCRIPTION: DC POWER JACK