

- NOTES:
- MATERIAL:
    - HOUSING: THERMOPLASTIC; COLOR IN BLACK, UL94V-0 RATED.
    - CONTACT AND GROUNDING LUG: HIGH PERFORMANCE COPPER ALLOY. THICKNESS=0.10mm.
  - CONTACT FINISH:
    - HALF-GOLD-TIN (PLATING CODE: M,C,5,8,N,B,D) UNDERPLATING NICKEL 50u" OVERALL. SELECTED GOLD ON CONTACT AREA. (SEE TABLE A) **△** SELECTED LEAD FREE MATTE TIN 120u" ON SOLDER TAIL
    - FULL-GOLD (PLATING CODE: P,E,G,H,I,J) UNDERPLATING NICKEL 30u" OVERALL. GOLD FLASH OVERALL. SELECTED GOLD ON CONTACT AREA. (SEE TABLE A)
  - GROUNDING LUG FINISH: UNDERPLATING NICKEL 50u" OVERALL. GOLD FLASH OVERALL.
  - PACKING: SEE TABLE A.
  - OPERATION TEMPERATURE: -40°C~+85°C
  - DURABILITY: 10,000 CYCLES

**MORETHANALL**  
PCB CONNECTORS  
Cable ASSEMBLIES  
煜倫股份有限公司  
www.morethanall.com

<b>RoHS Compliant</b>		TOLERANCES ARE
DRAWING BY CY		X, ±
CHECKED BY GENIUS		.X ± 0.25
UNIT / mm	SCALE 1 : 1	.XX ± 0.15
DATE		.XXX ± 0.05
SIZE A4	PJECTION	ANG ±

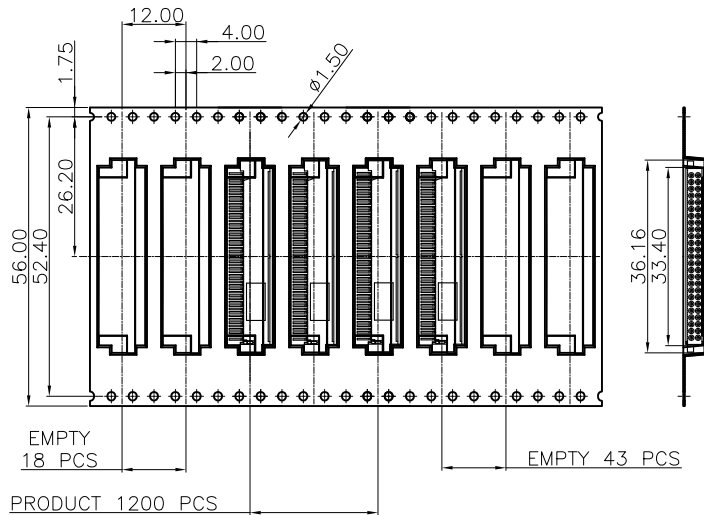


**ORDER INFORMATION**

CFC-SWA02R-50-LF

SERIES	LEADFREE
	50WAY
	REEL
	OFFSET 0.20mm
FEMALE	A TYPE
	90°SMT

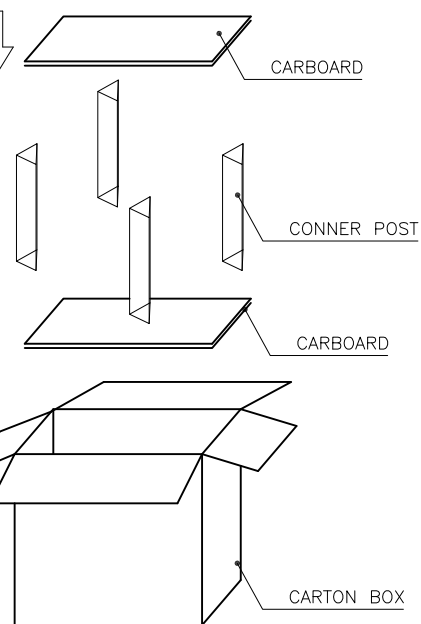
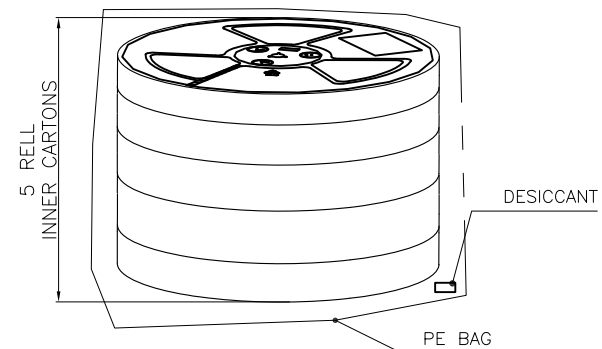
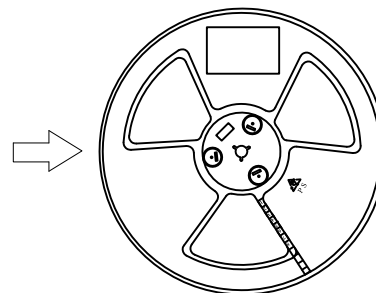
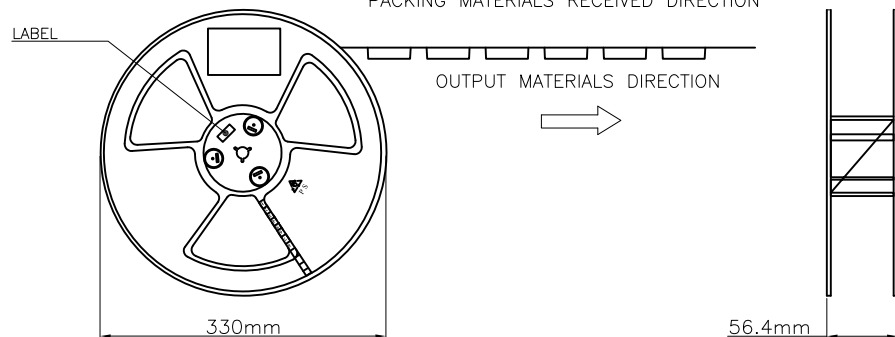
DESCRIPTION: 50 PIN CONN. , SMT OFFSET -0.21mm



PULL OUT DIRECTION

PACKING MATERIALS RECEIVED DIRECTION

OUTPUT MATERIALS DIRECTION



CARTON  
QUANTITY: 6,000 PCS / CARTON

CARTON: 350x350x340 mm

NOTES:

1. REFERENCE: EIA-481
2. MATERIAL: CONDUCTIVE POLYSTYRENE (PS), 0.3mm THICKNESS, COLOR IN BLACK
3. QUANTITY: 1,200 PCS / REEL  
6,000 PCS / CARTON

RoHS Compliant

TOLERANCES ARE

**MORETHANALL**  
PCB CONNECTORS  
Cable ASSEMBLIES

DRAWING BY CY

CHECKED BY GENIUS

UNIT / mm

SCALE 1 : 1

DATE

SIZE A4

X, ±  
.X ± 0.25  
.XX ± 0.15  
.XXX ± 0.05  
ANG ±

PPOJECTION

照片框

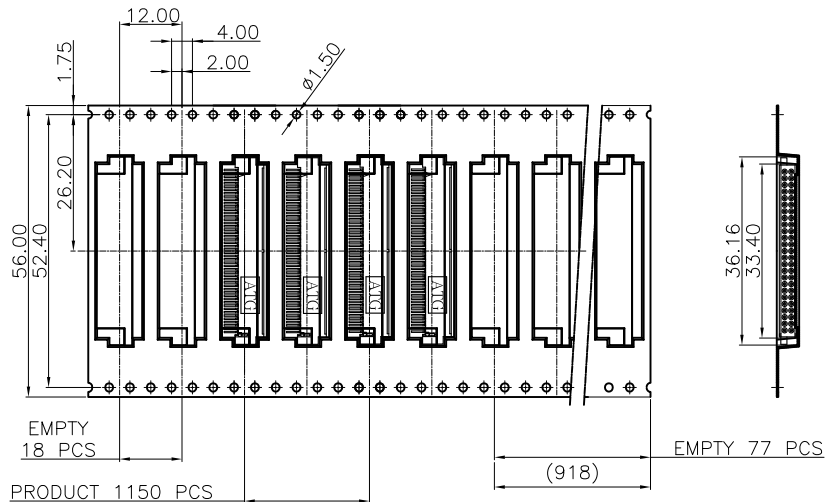
ORDER INFORMATION

CFC-SWA02R-50-LF  
SERIES | | | | | LEADFREE  
50WAY  
REEL  
OFFSET 0.20mm  
FEMALE | | | | | A TYPE  
90°SMT

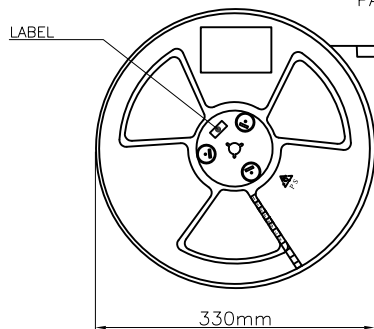
DESCRIPTION: 50 PIN CONN. , SMT OFFSET -0.21mm

煜倫股份有限公司

www.morethanall.com

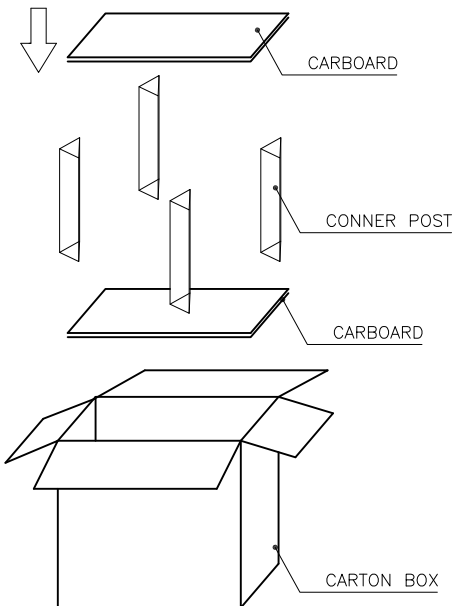
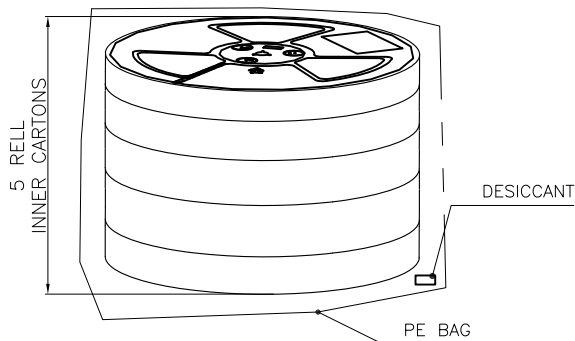
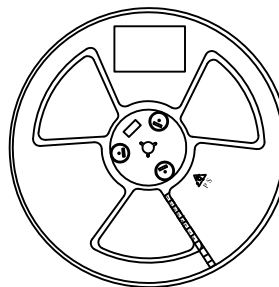
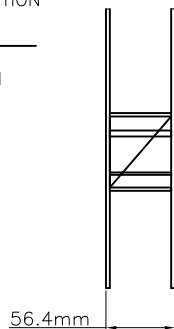


PULL OUT DIRECTION



PACKING MATERIALS RECEIVED DIRECTION

OUTPUT MATERIALS DIRECTION



CARTON  
QUANTITY: 5,750 PCS / CARTON

CARTON: 350x350x340 mm

NOTES:

1. REFERENCE: EIA-481
2. MATERIAL: CONDUCTIVE POLYSTYRENE (PS), 0.3mm THICKNESS, COLOR IN BLACK
3. QUANTITY: 1,150 PCS / REEL  
5,750 PCS / CARTON

RoHS Compliant

TOLERANCES ARE

**MORETHANALL**  
PCB CONNECTORS  
Cable ASSEMBLIES  
煜倫股份有限公司  
www.morethanall.com

DRAWING BY CY		X, ± .X ± 0.25 .XX ± 0.15 .XXX ± 0.05 ANG ±
CHECKED BY GENIUS		
UNIT / mm	SCALE 1 : 1	
DATE		
SIZE A4	PJECTION	

照片框

ORDER INFORMATION

CFC-SWA02R-50-LF  
SERIES | | | | LEADFREE  
50WAY  
REEL  
OFFSET 0.20mm  
FEMALE | | | | A TYPE  
90°SMT

DESCRIPTION: 50 PIN CONN. , SMT OFFSET -0.21mm