

PCB LAYOUT

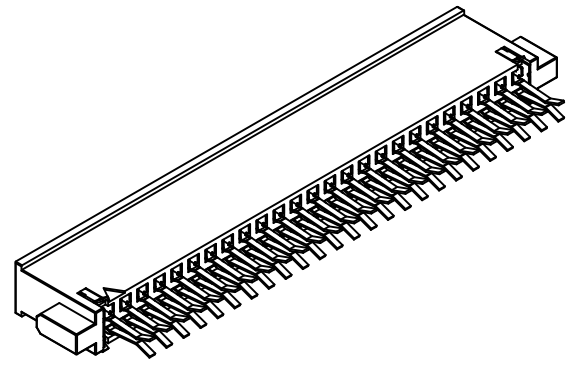
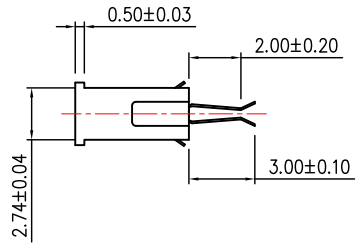
NOTE:

A. Material:

- 1. Housing : HTN , UL94V-0.
- 2. Terminal : Copper Alloy .

B. Plating:

- 1. Terminal : Plating is based on 50u" Nickel under plating, Selective Gold plated in contact area, Solder tail 100u" min Sn over Nickel plated.



RoHS Compliant

TOLERANCES ARE

照片框

ORDER INFORMATION

CFC-SER-50-LF
 SERIES | REEL | LEADFREE
 | | 50 WAY
 | | EDGE CLIP
 | | FEMALE

MORETHANALL
 PCB CONNECTORS
 Cable ASSEMBLIES

煜倫股份有限公司

www.morethanall.com

DRAWING BY CY

CHECKED BY GENIUS

UNIT / mm

SCALE 1 : 1

DATE

SIZE A4

PPOJECTION

X, ±
 .X ± 0.25
 .XX ± 0.10
 .XXX ± 0.05
 ANG ±

DESCRIPTION: Compact Flash Card 50Pin KEEP Connector Offset=0.0



1 Reel=1000PCS

RoHS Compliant

TOLERANCES ARE

MORETHANALL
PCB CONNECTORS
Cable ASSEMBLIES

煜倫股份有限公司

www.morethanall.com

DRAWING BY CY

CHECKED BY GENIUS

UNIT / mm SCALE 1 : 1

DATE

SIZE A4 PPROJECTION

X, ±
.X ± 0.25
.XX ± 0.10
.XXX ± 0.05
ANG ±



照片框

ORDER INFORMATION

CFC-SER-50-LF
SERIES | | | LEADFREE
| | | 50 WAY
| REEL
| EDGE CLIP
| FEMALE

DESCRIPTION: Compact Flash Card 50Pin KEEP Connector Offset=0.0