

SPECIFICATION

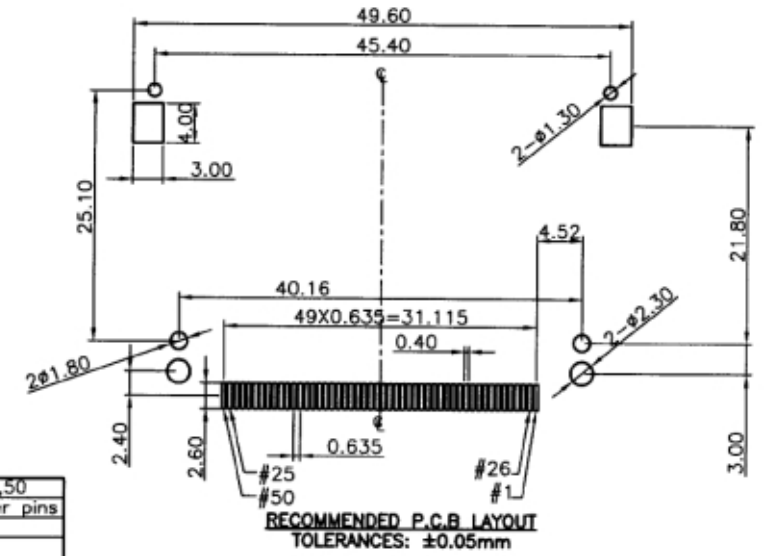
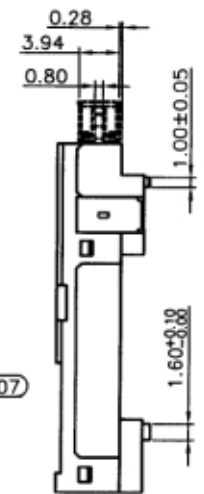
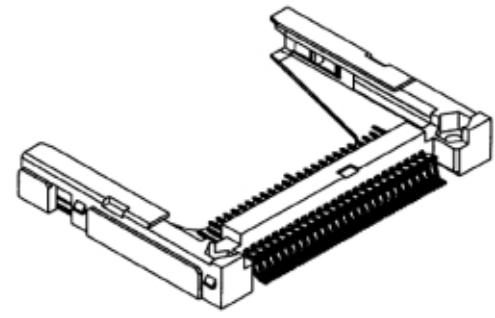
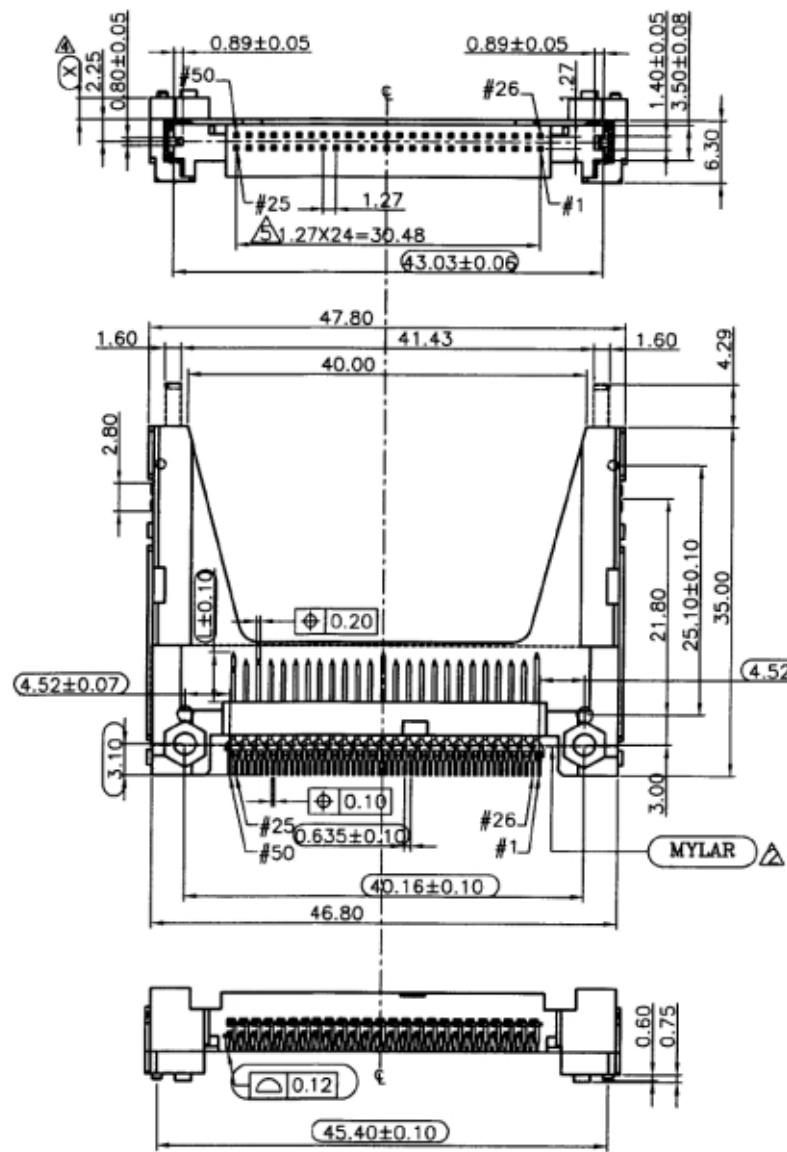
MATERIAL
 Insulator: Thermal Plastic UL94V-0
 Contacts: Copper Alloy
 Mount Ear: Copper Alloy
CONTACT PLATING
 Underplate: 50u"~100u" Nickel
 Contact Area: 1u"~30u" Selective Gold
 Solder Tails Area: 100u"~200u" Tin/Lead Free(Brighten Tin/Matte Tin)

CFC-PW40CE2x1H-50-LF

LEADFREE

0:0.0mm/STANDOFF
 2:2.2mm/STANDOFF

RoHS Compliant



POWER	5.00mm	1,13,38,50
GENERAL	4.25mm	all other pins
DETECT	3.50mm	25,26
Pin type	Interface Dim. L	Pin No.

MORETHANALL
 CONNECTORS
 ASSEMBLIES

PART NO. CFC-PW40CE2x1H-50

DWG NO. CFC-PW40CE2x1H-50

FILE NO.

UNIT / mm

SCALE 1:1

CHECKED BY CY

DRAWING BY

PROJECTION

TOLERANCES ARE

.X ± 0.2
 .XX ± 0.1
 .XXX ±
 AWG

DESCRIPTION:

AREA

REVISIONS

HK

DATE

焯倫股份有限公司