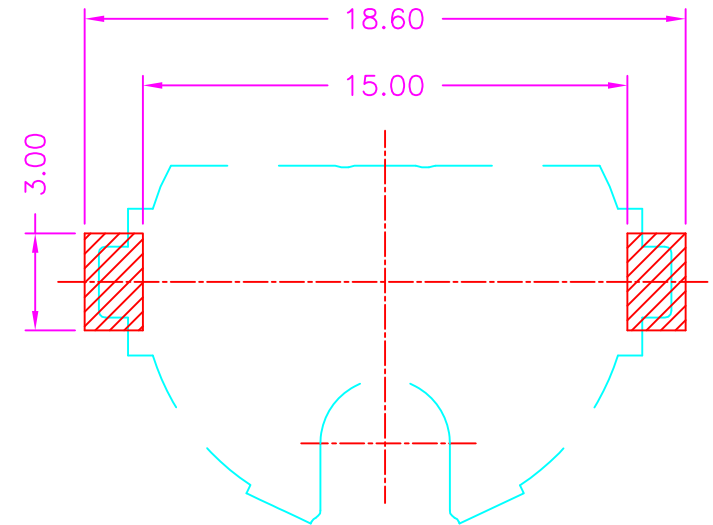
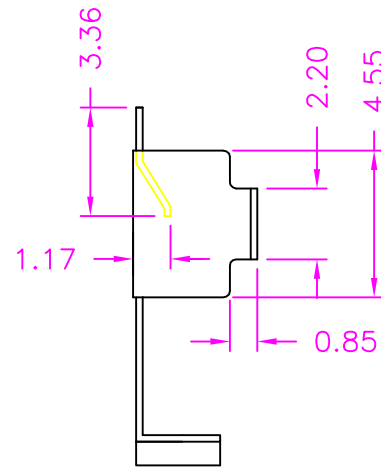
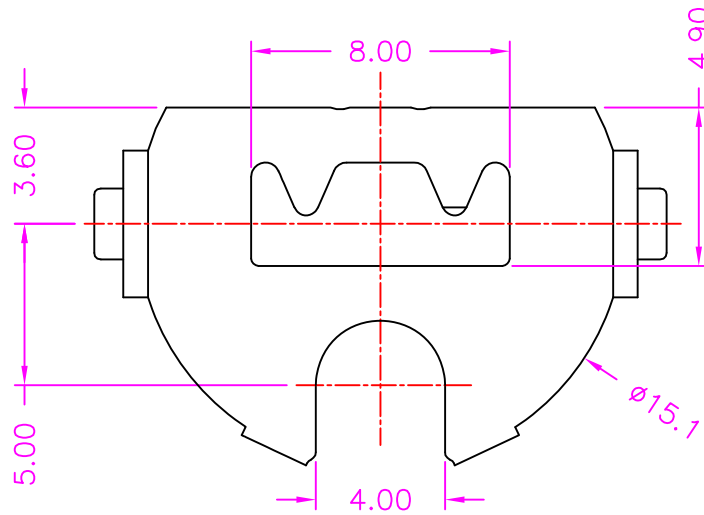


MATERIALS

SHELL: COPPER ALLOY, TIN PLATING



P.C.B LAYOUT
TOP VIEW ± 0.05

RoHS Compliant

TOLERANCES ARE

MORETHANALL
PCB CONNECTORS
Cable ASSEMBLIES

煜倫股份有限公司

www.morethanall.com

DRAWING BY CY

CHECKED BY GENIUS

UNIT / mm SCALE 1:1

DATE

SIZE A4

X. ± 0.40

.X ± 0.30

.XX ± 0.20

.XXX ± 0.10

ANG \pm

P PROJECTION

照片框

ORDER INFORMATION

BTH-W38-16-LF
SERIES | LEADFREE
CR1632
HIGH 3.85mm
90°SMT

DESCRIPTION: BATTERY HOLDER, SMT, FULL METAL SHIELD, CR1632