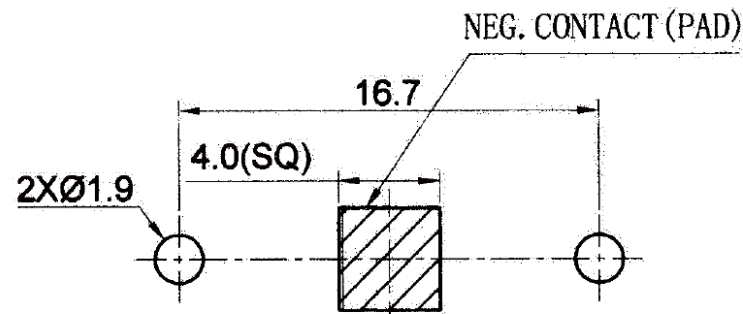
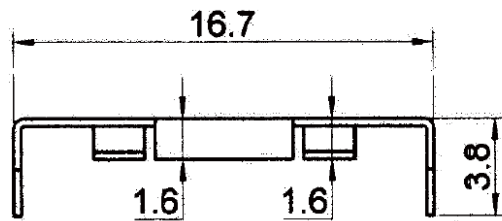


NOTE:
1. MATERIAL: 0.3MM PHOSPHOR BRONZE
NICKEL PLATED



PCB Mounting Layout

RoHS Compliant

TOLERANCES ARE

MORETHANALL
PCB CONNECTORS
Cable ASSEMBLIES

DRAWING BY CY

X.±

CHECKED BY GENIUS

.X±

UNIT / mm

SCALE 1:1

.XX±

DATE

.XXX±

ANG ±

煜倫股份有限公司

www.morethanall.com

SIZE A4

PJECTION

照片框

ORDER INFORMATION

BTH-R20-16-LF
SERIES | LEADFREE
CR1616
HIGH 2.0mm
DIP 90°

DESCRIPTION: