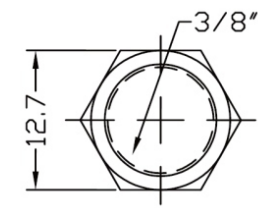
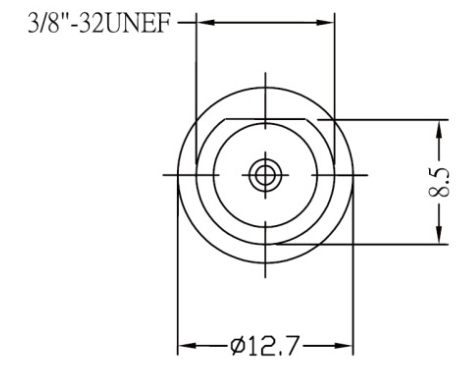
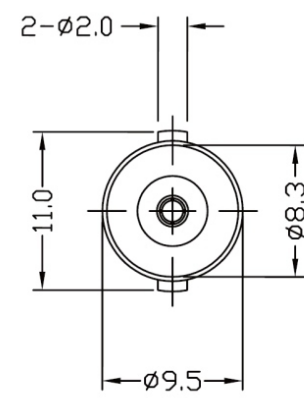


LOCK WASHER



厚度為2.3mm

UNT



7				
6	1	BRASS	GROUND	NICKEL
5	1	COPPER	LOCK WASHER	NICKEL
4	1	BRASS	NUT	NICKEL
3	1	TEFLON	INSULATOR	WHITE
2	1	COPPER	CONTACT	GOLD
1	1	BRASS	BODY	NICKEL
ITEM	Q'TY	MATERIAL	DESCRIPTION	FINISH

RoHS Compliant

TOLERANCES ARE



煜倫股份有限公司

www.morethanall.com

DRAWING BY CY

CHECKED BY GENIUS

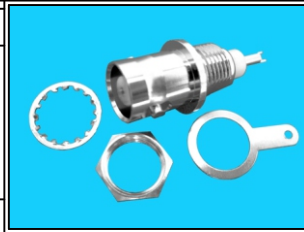
UNIT / mm SCALE 1 : 1

DATE

SIZE A4

X, ±
X, ±
.XX ±
.XXX ±
ANG ±

PPOJECTION



ORDER INFORMATION

BNC-JSPA-50-LF
 SERIES | | | LEADFREE
 | | | 50 OHM
 | | | PANEL FRONT
 | | | SOLDER
 | | | JACK

DESCRIPTION: