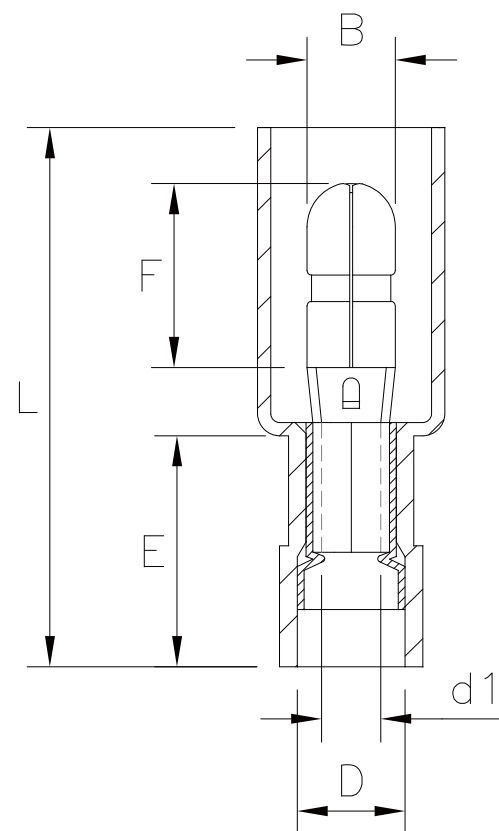


MAXIMUM ELECTRIC CURRENT

A. W. G	22	20	18
MAX AMP	3	4	7

NOTE:

1. MAXIMUM ELECTRICAL RATING: 105 °C 300 VOLTS
2. REINFORCEMENT SLEEVE: D TYPE SLEEVE
3. WIRE RANGE: AWG 22-18/0.5-0.75mm²
INSULATED COLOR: TRANSPARENT



WIRE RANGE AWG/mm ²	產品編號 ITEM NO.	B ±0.20	F ±0.50	L ±1.00	E ±0.60	D ±0.30	d1 ±0.20
AWG 22-18 0.5-0.75 mm ²	B20-MTNFC-18	2.0	12.3	26.5	11.0	3.5	1.6

RoHS Compliant

TOLERANCES ARE

MORETHANALL
PCB CONNECTORS
Cable ASSEMBLIES
煜倫股份有限公司

DRAWING BY CY

CHECKED BY GENIUS

UNIT / mm

SCALE 1:1

DATE

SIZE A4

X. ±
.X ±
.XX ±
.XXX ±
ANG ±

PPOJECTION



ORDER INFORMATION

B20-MTNFC-18-LF
SERIES | | | | | LEADFREE
18-22AWG
COPPER
MALE | FULL
NYLON
TERMINAL

DESCRIPTION:

www.morethanall.com