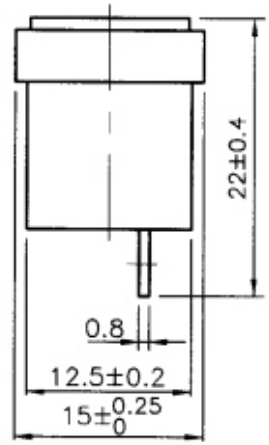
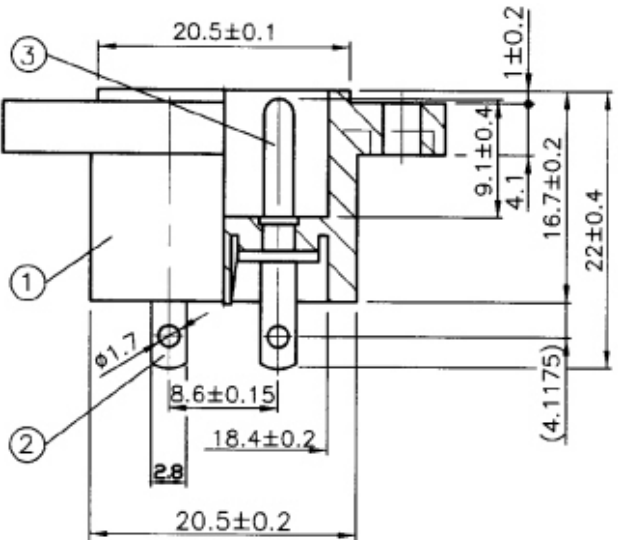
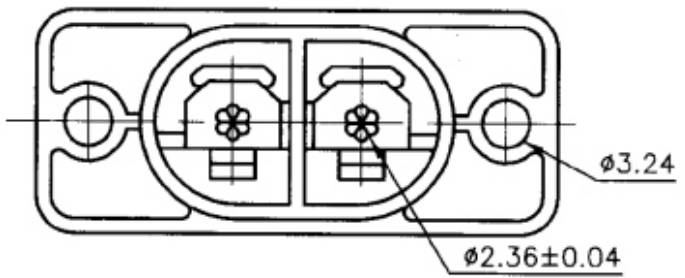
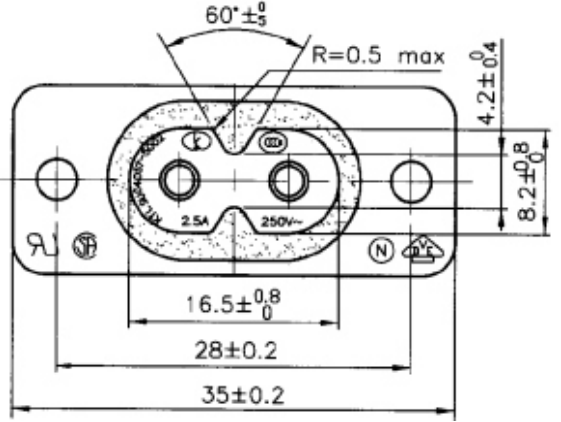
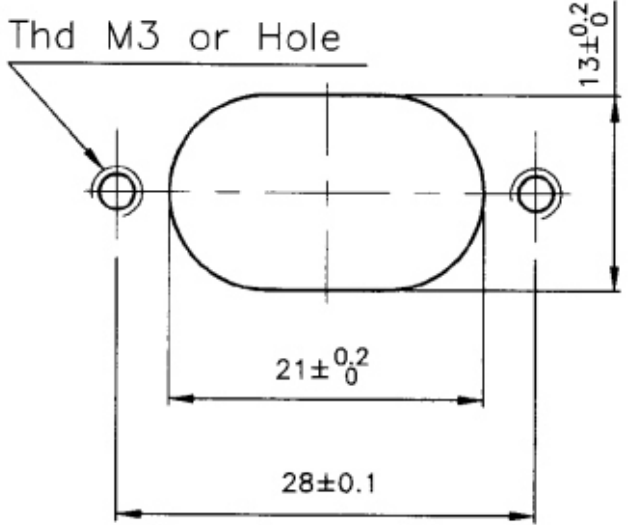


PANEL CUT-OUT



Rating: 2.5A 250V AC
 Approvals: UL/CSA/VDE/NEMKO/CCC /KTL

RoHS Compliant

TOLERANCES ARE



煜倫股份有限公司

www.morethanall.com

DRAWING BY CY

CHECKED BY GENIUS

UNIT / mm

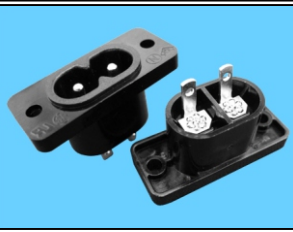
SCALE 1 : 1

DATE

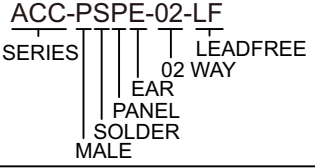
SIZE A4

P PROJECTION

- X. ±
- .X ±
- .XX ±
- .XXX ±
- ANG ±



ORDER INFORMATION



DESCRIPTION: