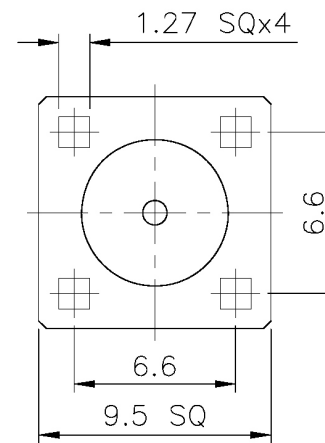
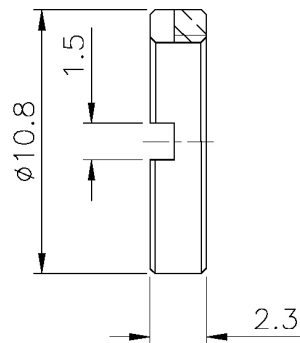
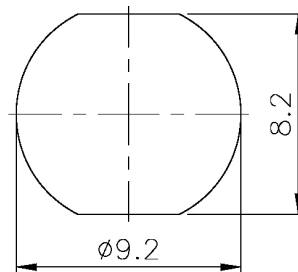


P.C.B. LAYOUT

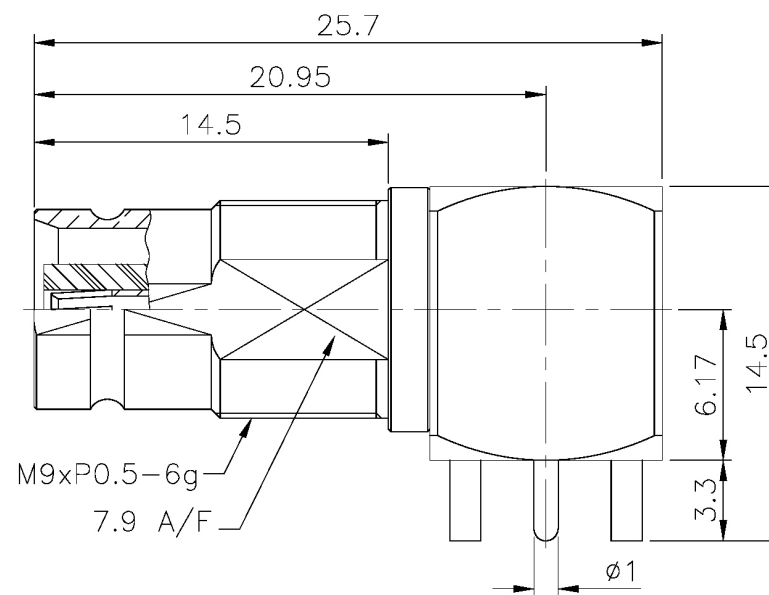


1656-JRPB-75-LF
LEADFREE
RoHS Compliant

6	NUT	BRASS	NICKEL
5	INSULATOR	TEFLON	WHITE
4	BODY	BRASS	GOLD
3	INSULATOR	TEFLON	WHITE
2	CONTACT PIN	BRASS	GOLD
1	CUBE BODY	BRASS	NICKEL
NO.	DESCRIPTION	MATERIAL	FINISH



RECOMMENDED MOUNTING HOLE



MORETHANALL
CONNECTORS
ASSEMBLIES

PART NO. 1656-JRPB-75

DWG NO. 1656-JRPB-75

CHECKED BY CY

TOLERANCES ARE

DESCRIPTION:

FILE NO.

DRAWING BY

.X ± 0.2
.XX \pm
.XXX \pm
AWG

AREA

REVISIONS

HK

DATE

焯倫股份有限公司

UNIT / mm

SCALE 1:1

PROJECTION

