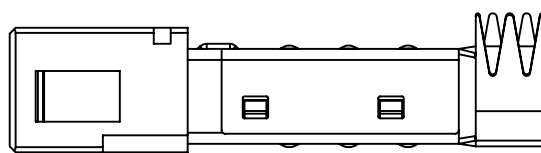
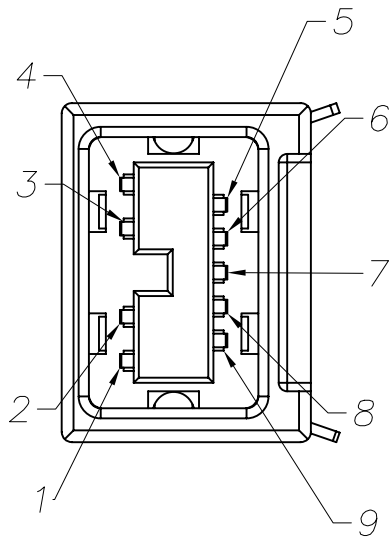
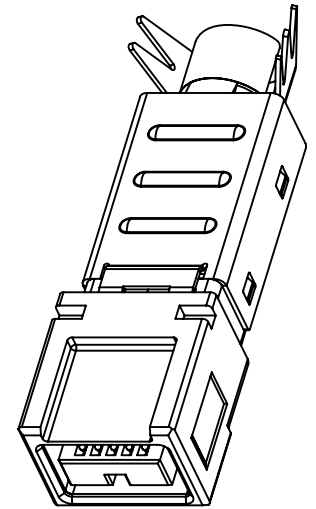
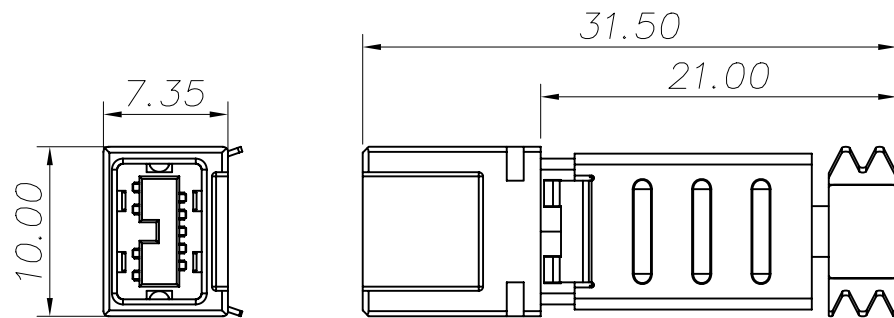


1 2 3 4 5 6 7 8 9 0

J
I
H
G
F
E
D
C
B
A



Notes:

- Electrical Specifications:
 Voltage: 30V
 Current: 1.5 AMPS
 Contact Resistance: 50mΩ max.
 Shell Resistance: 50mΩ
 Insulation Resistance: 100 MΩ min.
 Dielectric Withstand: 100Vdc
- Temperature Range:
 Operating: -40°C ~ +85°C
 Storage: -40°C ~ +105°C



PART NO. 1394BE-PS-09		CHECKED BY CY		TOLERANCES ARE .X ± 0.2 .XX ± 0.1 .XXX ± AWG	DESCRIP TION: 1394 9(M)BETA	AREA	REVISIONS	HK	DATE
DWG NO. 1394BE-PS-09		DRAWING BY							
FILE NO.		PROJECTION							
UNIT / mm		SCALE 1:1							

煜倫股份有限公司