

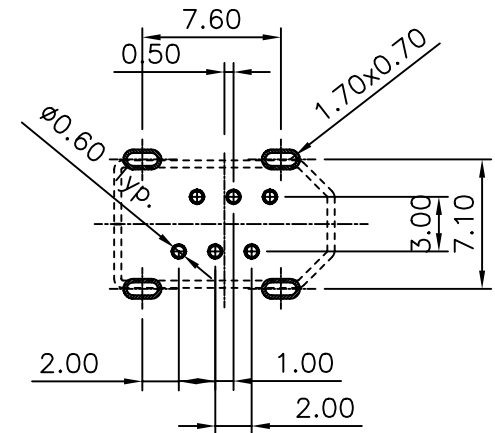
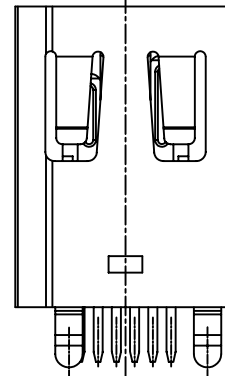
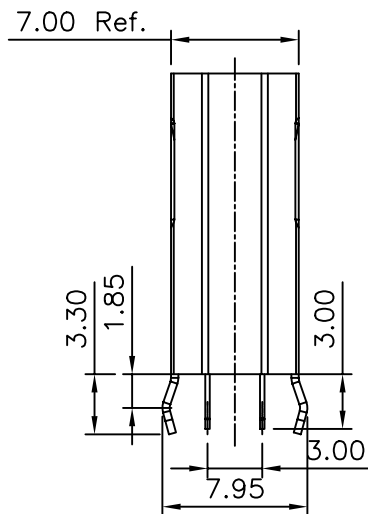
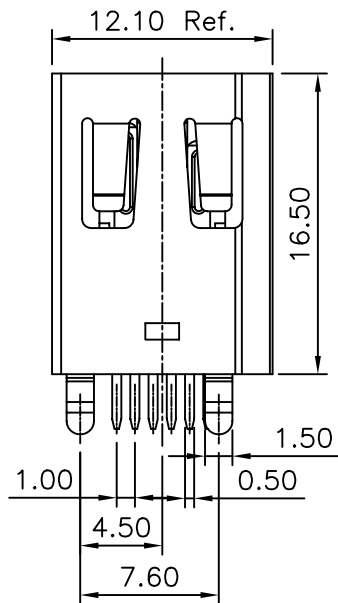
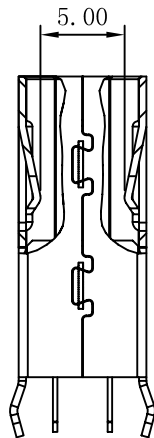
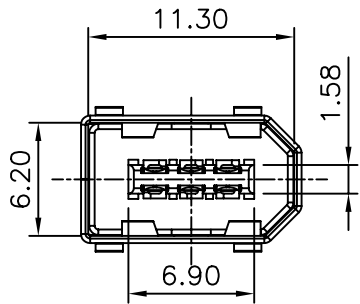
Note:

1.Material:

- 1.1 Insulator: High temperature thermoplastic PA46
UL94v-0 Nylon 30% Glass Filled ,meeting
- 1.2 Contact: Brass C2080R-H ,t=0.25mm
- 1.3 Shell: Phosphor C5191-EH ,t=0.40mm

2.Specification:

- 2.1 Current rating: 1 A Max.
- 2.2 Voltage rating: 40 V ac(rms) Max.
- 2.3 Dielectric withstanding voltage: 500 V(ac)
for 1 min.
- 2.4 Contact resistance: 30 mW Max.
- 2.5 Insulation resistance: 100 MW Min.
- 2.6 Total mating force: 4.0 Kgf Max.
- 2.7 Total unmating force: 1.0 Kgf Min.
- 2.8 Temperature range: -40°C~85°C



RECOMMENDED PCB LAYOUT

MORETHANALL
CONNECTORS
ASSEMBLIES

煜倫有限公司

PART NO. 1394-SD4X-06

DWG NO. 1394-SD4X-06

FILE NO.

UNIT / mm

SCALE 1:1

CHECKED BY CY

DRAWING BY

PROJECTION

TOLERANCES ARE

.X ± 0.2
.XX ±
.XXX ±
AWG

DESCRIPTION:			
AREA	REVISIONS	HK	DATE