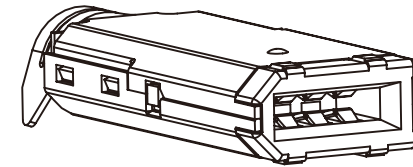
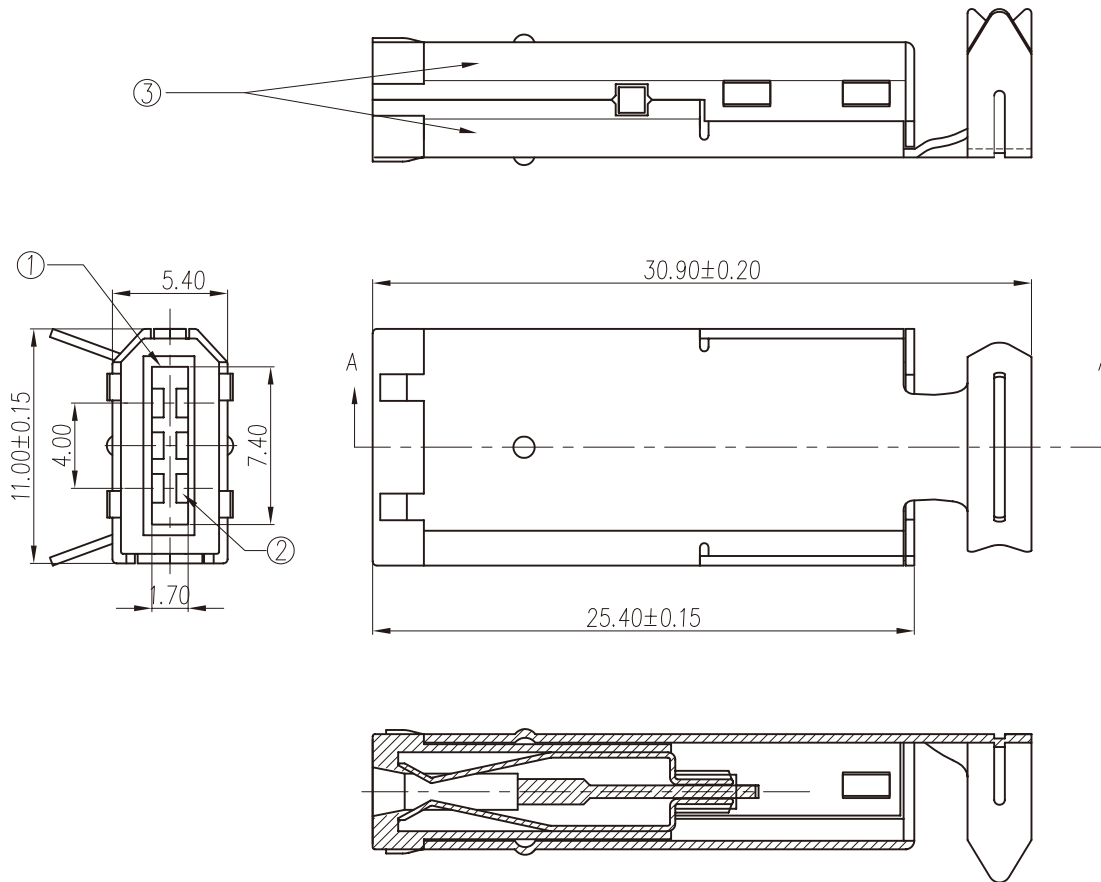


Note:

Specification:

1. Current rating: 1 A Max.
2. Dielectric withstanding voltage: 30V(ac) for 1 minute.
3. Contact resistance: 30 mΩ Max.
4. Insulation resistance: 1000 MΩ Min at DC 500V.
5. Temperature range: -40°C~+85°C



3	Shell	2	Cold rolled steel	T=0.40mm	Cu:40u"min. 80~120u"Nickel Plated
2	Contact	6	Brass	T=0.25mm	Contact area:0.8~1.2u"Gold Plated over 40u"Nickel min. Solder area:80~120u"Tin Plated over 40u"Nickel min.
1	Housing	1	P.B.T+30%GF	UL 94-V0	Black
No.	Name	Q'ty	Material	Remarks & Thickness	Finish

SECTION A-A
SCALE 1:1

RoHS Compliant

TOLERANCES ARE

MORETHANALL
PCB CONNECTORS
Cable ASSEMBLIES

DRAWING BY CY

X.±

CHECKED BY GENIUS

.X±

UNIT / mm

SCALE 1:1

.XX±

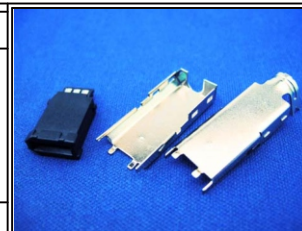
DATE

.XXX±

ANG±

SIZE A4

P PROJECTION



ORDER INFORMATION

1394-PS-06-LF
SERIES | LEADFREE
| 06 WAY
| SOLDER
MALE

煜倫股份有限公司

www.morethanall.com

DESCRIPTION: IEEE 1394-6PIN(M) MOLDING