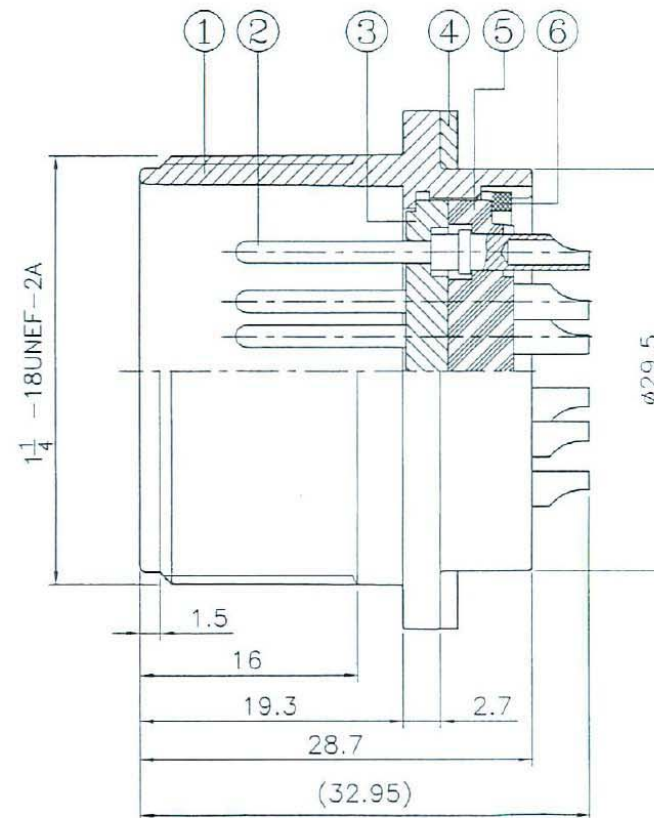
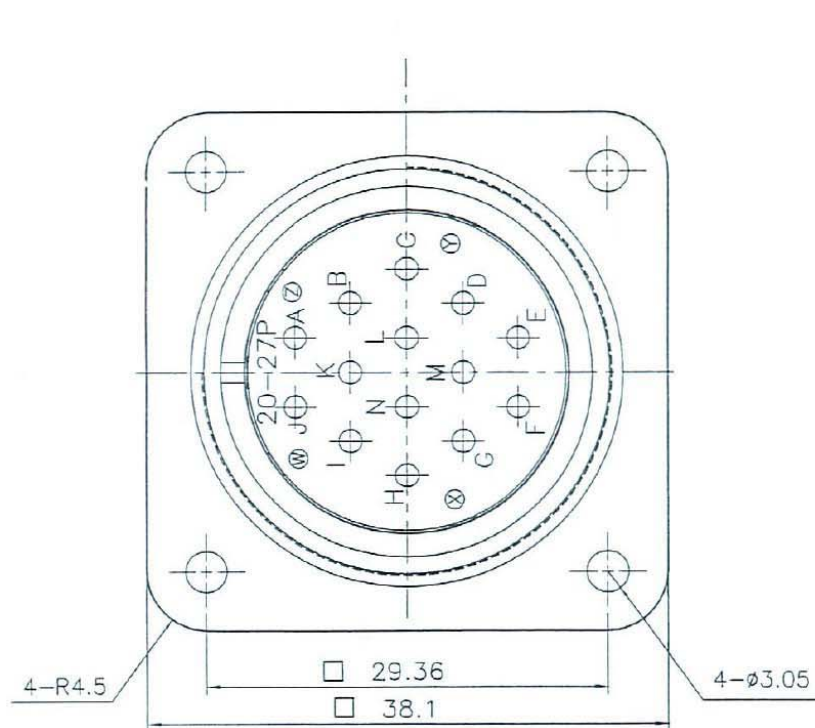


NO	件號 PAT. NO	名稱 NAME	材質 MATL	件數 SHT	處理 TREAT	備註 REMARK	NO	件號 PAT. NO	名稱 NAME	材質 MATL	件數 SHT	處理 TREAT	備註 REMARK
1	B-189AZB-R	本體 SHELL	鋁合金 AL ALLOY	1	三價鉻(Cr ⁺⁺⁺)	黑色 BLACK	4	Q-152RX	襯墊 WASHER	橡膠 RUBBER	1	黑色 BLACK	
2	J-072BS-R	導針 CONTACT	銅合金 COPPER ALLOY	14	鍍銀 M-Ag		5	E-063BB	絕緣塞 INSULATOR	合成樹脂 POLYESTER	1	黑色 BLACK	
3	F-052BB	絕緣座 INSULATOR	合成樹脂 POLYESTER	1	黑色 BLACK		6	Q-085BZ-R	扣環 RING	銅合金 COPPER ALLOY	1	三價鉻(Cr ⁺⁺⁺)	黑色 BLACK



No.	ELECTRICAL SPECIFICATIONS	
1	WITHSTANDING VOLTAGE	DC:700 AC (rms):500
2	WITHSTANDING VOLTAGE	AC:2000V ONE MINUTE
3	TEST CURRENT	13 AMPERES
4	INSULATION RESISTANCE	5000MΩ min. AT DC 500V

RoHS Compliant

TOLERANCES ARE

MORETHANALL
PCB CONNECTORS
Cable ASSEMBLIES

煜倫股份有限公司

www.morethanall.com

DRAWING BY CY

CHECKED BY GENIUS

UNIT / mm SCALE 1:1

DATE

SIZE A4

PJECTION

X, ±
.X ±
.XX ±
.XXX ±
ANG ±

照片框

ORDER INFORMATION

0504-PSPQFMM-14-LF
SERIES | | | | | LEADFREE
14 WAY
MALE | | | | | SCREW-ON
SOLDER | | | | | FULL METAL
PANEL

DESCRIPTION: