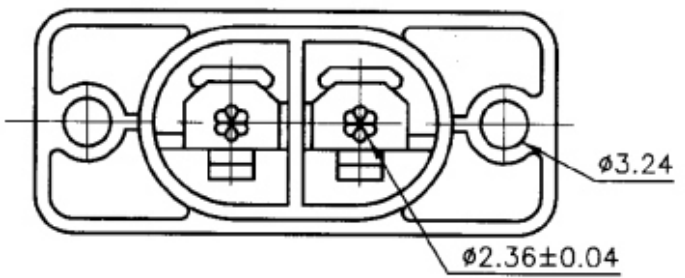
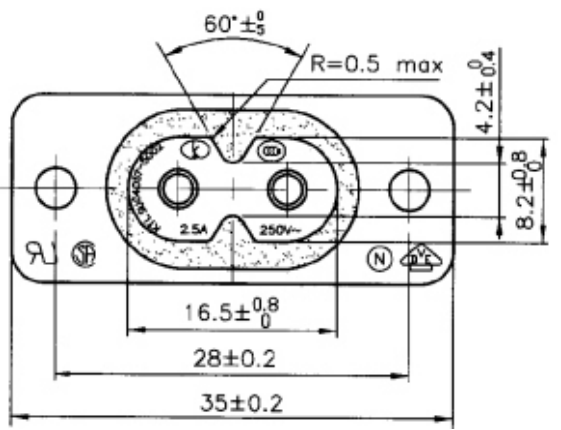
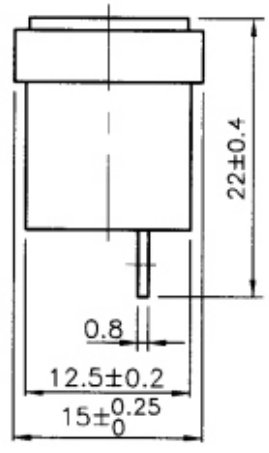
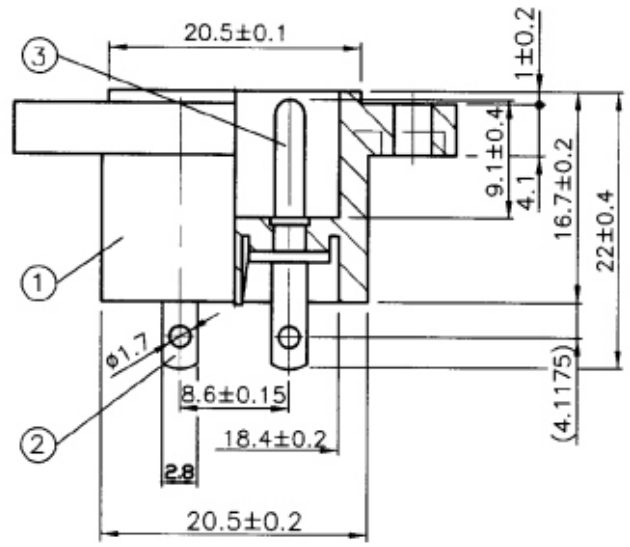
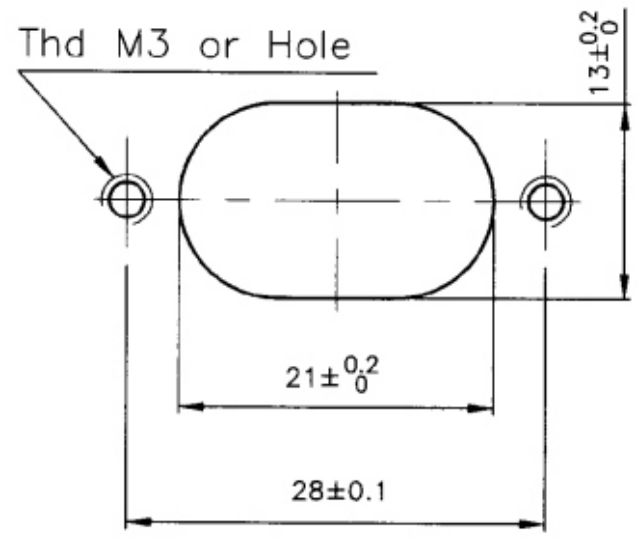


1 2 3 4 5 6 7 8 9 0

J  
I  
H  
G  
F  
E  
D  
C  
B  
A



PANEL CUT-OUT



Rating: 2.5A 250V AC  
 Approvals: UL/CSA/VDE/NEMKO/CCC /KTL

ACC-PSPE-02-LF  
 LEADFREE  
 RoHS Compliant



PART NO. ACC-PSPE-02

DWG NO. ACC-PSPE-02

CHECKED BY CY

TOLERANCES ARE

DESCRIP TION:

FILE NO.

DRAWING BY

.X ± 0.2  
 .XX ± 0.1  
 .XXX ±  
 AWG

焯倫股份有限公司

UNIT / mm

SCALE 1:1

PROJECTION

AREA	REVISIONS	HK	DATE
------	-----------	----	------