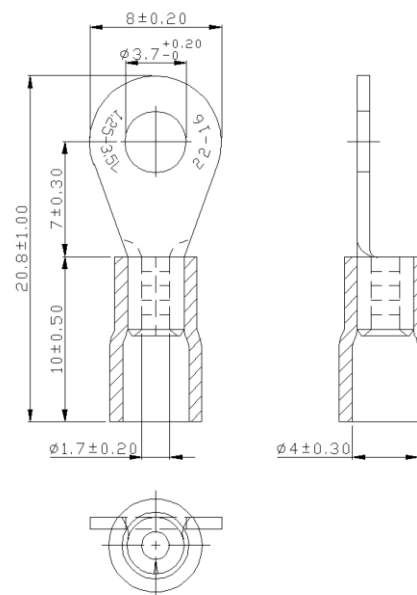


Item	Description	Quantity
A	L/W PVC UL 1015 AWG18 TS BLACK, RED	1
B	TERMINALS 3.7mm RING (RT-V37L-16-LF)	1
C	Stripping plated 5mm	1
D	LABEL WX-073/WWYY / WX-074/WWYY	
W	55±5mm	



NOTE:

1. MAXIMUM ELECTRIC CURRENT :

A.W.G.	22	20	18	16
AMP.	9	12	17	18
2. MAXIMUM ELECTRICAL RATING : 75°C 600 VOLTS MAX.
3. INSULATION MATERIAL : VINYL
4. INSULATION COLOR : RED
5. TERMINAL MATERIAL : COPPER
6. WIRE RANGE : 22-16 A.W.G.(0.5-1.5mm²)
7. TERMINALS SURFACE TREATMENT : TIN PLATED
8. TERMINALS THICKNESS : 0.75 mm

RoHS Compliant

TOLERANCES ARE

MORETHANALL
PCB CONNECTORS
Cable ASSEMBLIES

DRAWING BY CY

CHECKED BY GENIUS

UNIT / mm

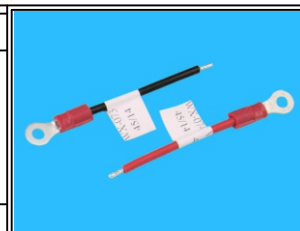
SCALE 1 : 1

DATE

SIZE A4

X, ±
.X ±
.XX ±
.XXX ±
ANG ±

PPOJECTION



ORDER INFORMATION

RTX1-3700V18xx-F1N5-LF

SERIES

37Ø

PVC

BK:BLACK
RD:RED

18 AWG

55mm

FEMALE TO FEMALE

LEADFREE

煜倫股份有限公司

www.morethanall.com

DESCRIPTION: