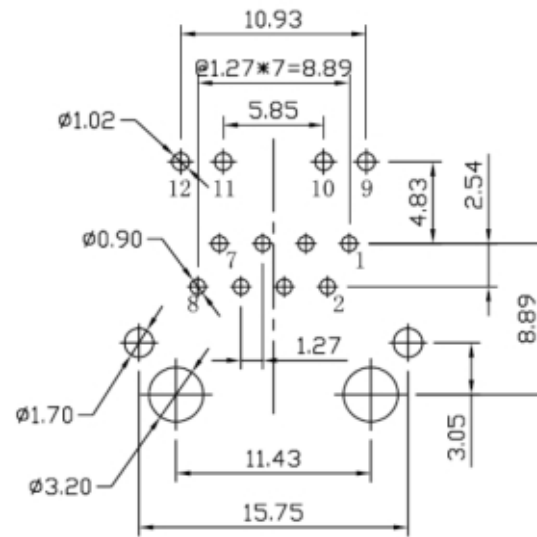
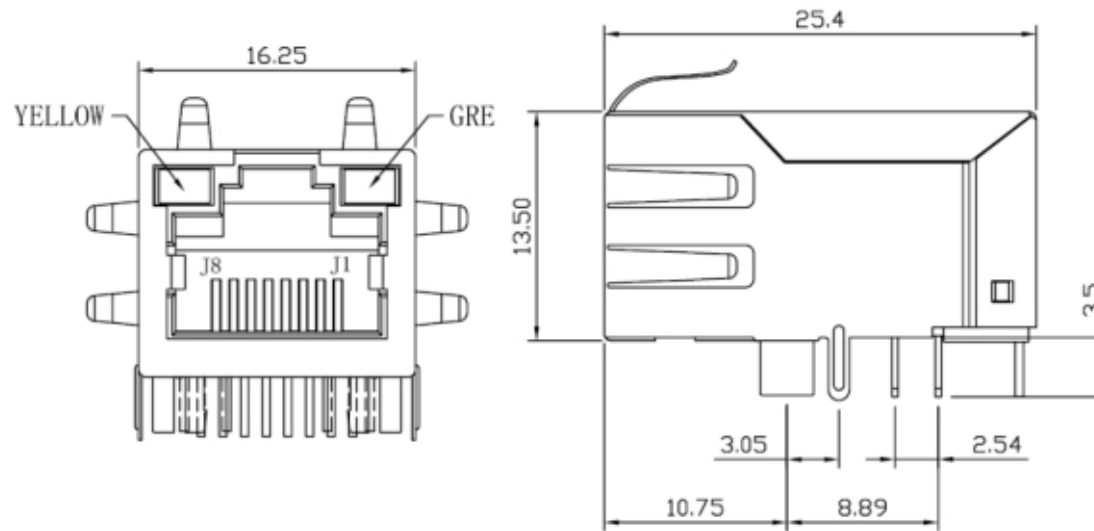
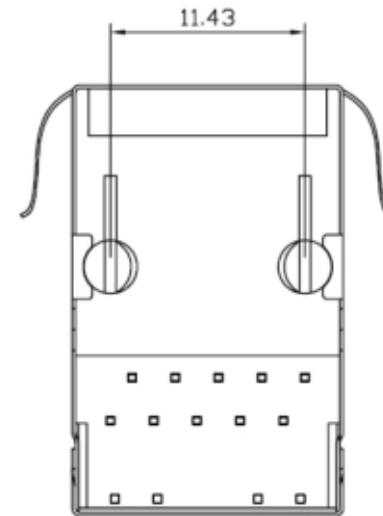


**EXTERNAL DIMENSIONS :**



SUGGESTED PCB LAYOUT (TOP VIEW)



**RoHS Compliant**

TOLERANCES ARE

**MORETHANALL**  
PCB CONNECTORS  
Cable ASSEMBLIES

DRAWING BY CY

CHECKED BY GENIUS

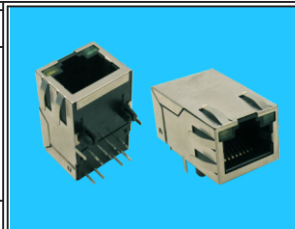
UNIT / mm SCALE 1 : 1

DATE

SIZE A4

PJECTION

X, ±  
.X ±  
.XX ±  
.XXX ±  
ANG ±



**ORDER INFORMATION**

MJF13T36UL-KF06B3YG-0808

SERIES

06u" GOLD  
FULL SPRING  
BLACK

8P8C

LED1 / LED2

YG:YELLOW / GREEN  
REAR TAB 3.05mm

**煜倫股份有限公司**

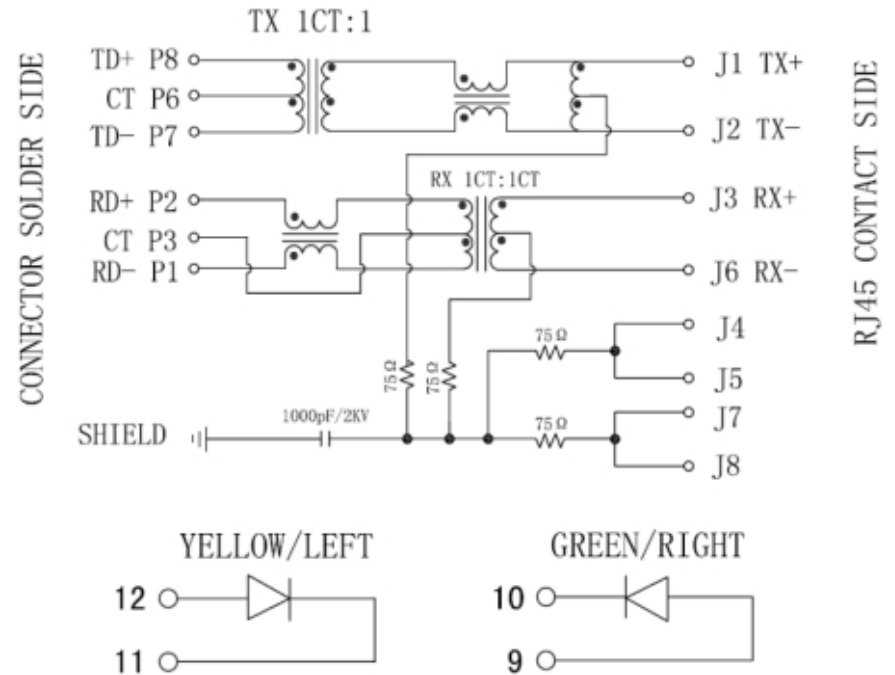
[www.morethanall.com](http://www.morethanall.com)

DESCRIPTION:

**ELECTRICAL CHARACTERISTIC : @25±5°C**

- Turn Ratio (100KHz, 0.1V)(P8-P7) : (J1-J2) = 1:1 ± 3%  
(P2-P1) : (J3-J6) = 1:1 ± 3%
- LX : (P8, P7) , (P2-P1) = 350uH Min. (100KHz, 100mV, 8mA, DC Bias)
- DCR : (P8-P7), (J1-J2), (J3-J6) = 1.0Ω Max.  
(P2-P1) = 1.2Ω Max.
- Hipot : (P8, P6, P7) to (J1, J2) = 1500VAC for 60sec  
(P2, P3, P1) to (J3, J6) = 1500VAC for 60sec
- Insertion Loss : -1.0dB Max. @ 0.1 - 100MHz
- Return Loss : -20dB Min. @ 1 - 30MHz  
-15dB Min. @ 30 - 60MHz  
-10dB Min. @ 60 - 800MHz
- Cross talk -30dB Min. @ 1 - 100MHz
- Common To Common Mode Rejection -30dB Min. @ 1 - 100MHz
- LED Lamp Wave Length : Green/Yellow : 570nm/590nm  
Forward Voltage(Vf) : 1.8v - 2.4v @20mA
- Operating Temperature Range : 0°C ~ 70°C

**SCHEMATIC DRAWING :**



**MORETHANALL**  
PCB CONNECTORS  
Cable ASSEMBLIES

煜倫股份有限公司

www.morethanall.com

**RoHS Compliant**

DRAWING BY CY

CHECKED BY GENIUS

UNIT / mm SCALE 1 : 1

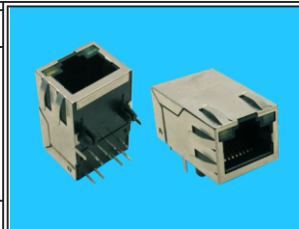
DATE

SIZE A4

TOLERANCES ARE

X, ±  
.X ±  
.XX ±  
.XXX ±  
ANG ±

PJECTION



**ORDER INFORMATION**

MJF13T36UL-KF06B3YG-0808

SERIES

06u" GOLD  
FULL SPRING  
BLACK

8P8C

LED1 / LED2  
YG:YELLOW / GREEN  
REAR TAB 3.05mm

DESCRIPTION: