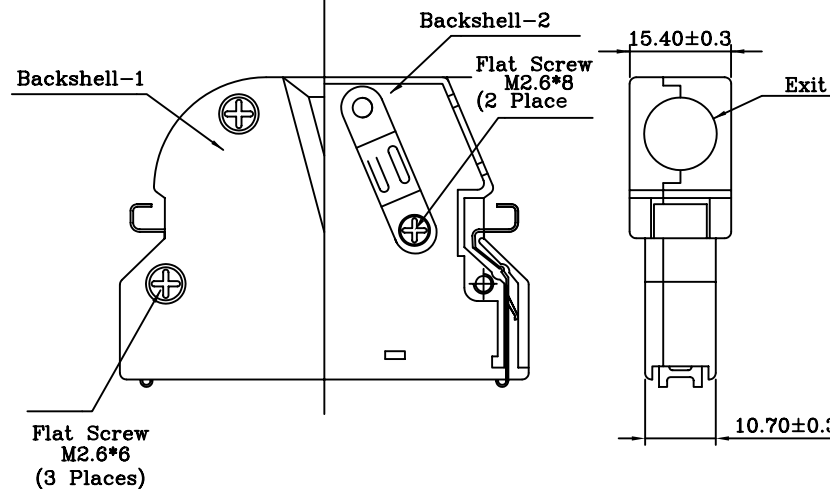
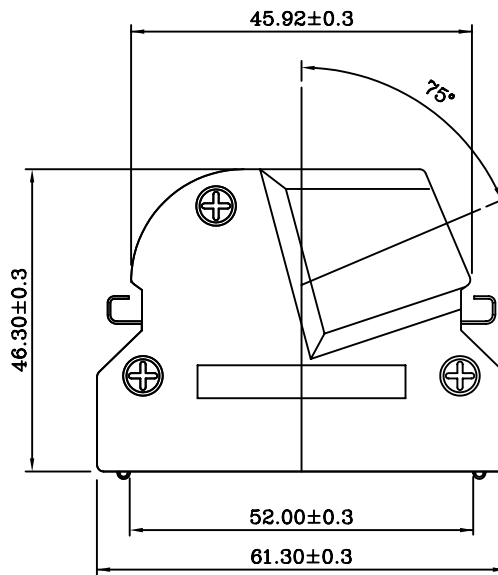
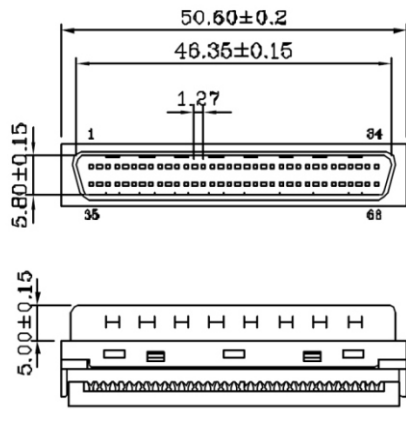
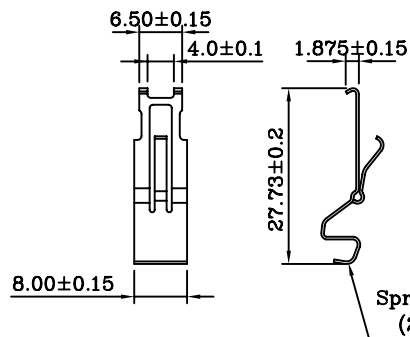


**FEATURES:**

- Round cable angled exit 70°
- Strain relief staple with spring latches
- Backshell desing by Die-Cast
- Excellent EMI/RFI protection

**MATERIALS:**

- Backshell: Zinc plated nickel over copper
- Spring latches: Phosphor Bronze over Nickel
- Screw: steel nickel plated over copper
- Cable Clipper: steel nickel plated



**RoHS Compliant**

TOLERANCES ARE

**MORETHANALL**  
PCB CONNECTORS  
Cable ASSEMBLIES

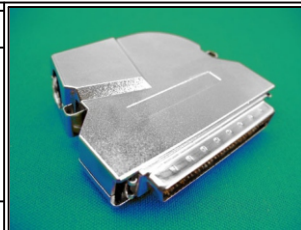
DRAWING BY CY  
CHECKED BY GENIUS  
UNIT / mm SCALE 1 : 1  
DATE

X, ±  
.X ±  
.XX ±  
.XXX ±  
ANG ±

煜倫股份有限公司

www.morethanall.com

SIZE A4 PROJECTION



**ORDER INFORMATION**

HPD-PFWA-068-LF  
SERIES | LEADFREE  
68 WAY  
SLANT  
W TYPE COVER  
IDC  
MALE

DESCRIPTION: 1.27mm(.050") Series 68P Hood Shielded Die-Cast With Spring Latches