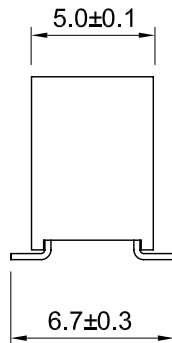
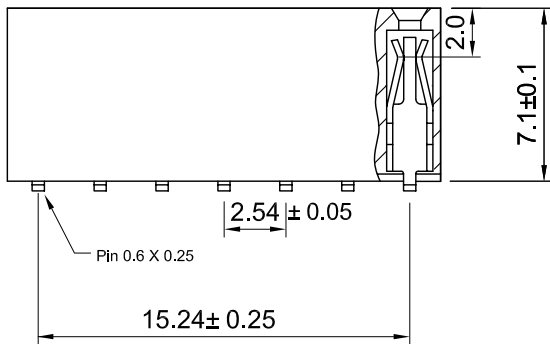
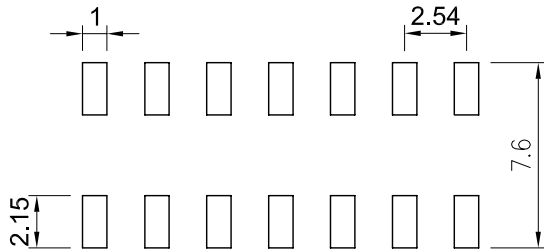
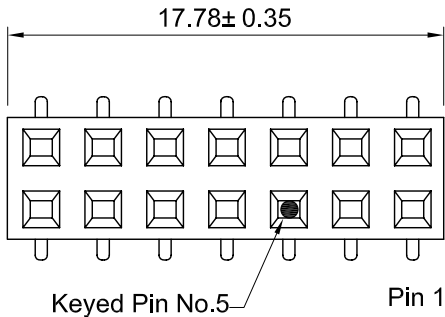


Recommended P.C. Board SMD Layout



Specifications

- Current Rating : 3 Amps
- Insulator Resistance : 1000 Megohms min.
- Contact Resistance : 20 m ohms max.
- Dielectric Withstanding : AC 600V
- Operating Temperature : -40°C ~ +105°C
- Contact Material : Phosphor Bronze
- Insulator Material : Polyester, UL 94V-0 Nylon-6T
- Contact Plated : See Option
- Standard: Full Gold Flash

RoHS Compliant

TOLERANCES ARE

MORETHANALL
PCB CONNECTORS
Cable ASSEMBLIES

DRAWING BY CY

X. ± 0.50

CHECKED BY GENIUS

.X ± 0.20

UNIT / mm

SCALE 1 : 1

.XX ± 0.10

DATE

.XXX ±

ANG ±

SIZE A4

PPOJECTION



ORDER INFORMATION

F-V75X-2X07K5-LF

SERIES | 14 WAY | LEADFREE
NON POST
HIGH 7.5mm
180°SMT

DESCRIPTION: Female Header P:2.54 X 2.54mm Profile : 7.1mm, Dual Row, SMD Type

煜倫股份有限公司

www.morethanall.com