

ITEM	NAME	Q'TY	MATERIAL / FINISH
4	CONTACT	2	SEE NOTE 3.3, 4.2
3	CONTACT	2	SEE NOTE 3.3, 4.2
2	HOUSING	1	GLASS FILLED, 130°C, UL 94V-0 RATED
1	SHELL	1	SEE NOTE 3.1, 4.1

RoHS Compliant

TOLERANCES ARE

**MORETHANALL**  
PCB CONNECTORS  
Cable ASSEMBLIES

DRAWING BY CY

CHECKED BY GENIUS

UNIT / mm

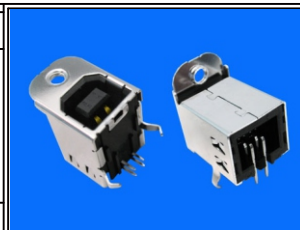
SCALE 1 : 1

DATE

SIZE A4

X. ±  
.X ±  
.XX ±  
.XXX ±  
ANG ±

PJECTION



ORDER INFORMATION

**USB-SRNBK-4B-LF**  
SERIES | | | LEADFREE  
4 PIN B TYPE  
BLACK  
FEMALE NUT  
DIP 90°

煜倫股份有限公司

www.morethanall.com

DESCRIPTION: USB CONNECTOR, SERIES B, WITH SCREW 4 POSITIONS, R/A, THUR-HOLE

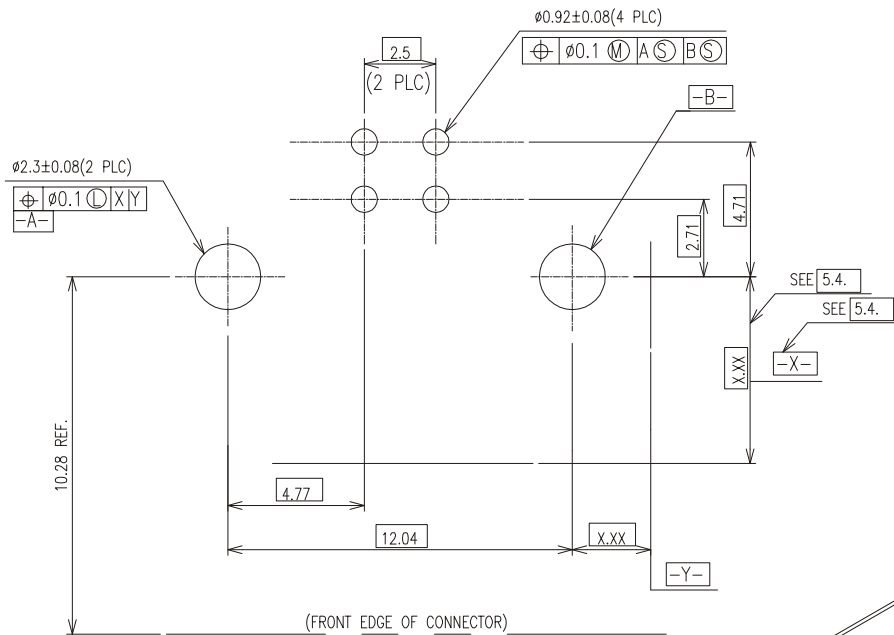
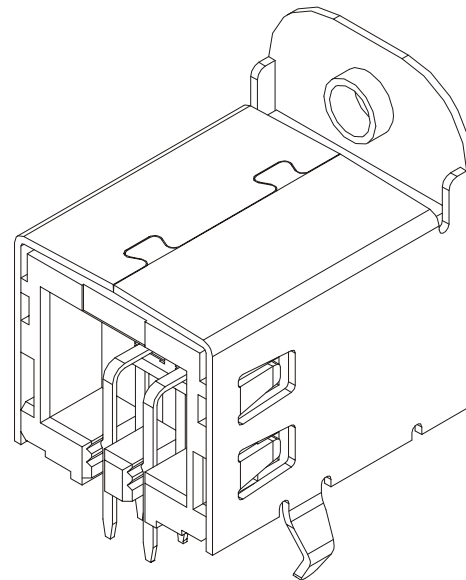


FIGURE A: PCB FOOTPRINT FOR RECEPTACLE (THROUGH-HOLE)



NOTES :

1.0. RATING :

- 1.1. VOTAGE : 30 VAC (R.M.S.)
- 1.2. CURRENT : 1.5 AMPERE MINIMUM PER CONTACT AT 30°C T-RISE
- 1.3. TEMPERATURE : -20°C TO +65°C(REF. TO CSP-UAC10-00-00)

2.0. ELECTRICAL CHARACTERISTIC :

- 2.1. CONTACT RESISTANCE : 30 MILLIOHMS MAXIMUM INITIAL
- 2.2. INSULATION RESISTANCE : 1,000 MEGOHMS MINIMUM
- 2.3. DIELECTIC WITHSTANDING VOLTAGE : 500 VAC AT SEA LEVEL
- 2.4. CAPACITANCE : 2 PICOFARADS MAXIMUM AT 1KHZ

3.0. MATERIALS :

- 3.1. SHELL : COPPER ALLOY
- 3.2. HOUSING : THERMOPLASTIC, GLASS FILLED, 130°C, UL 94V-0 RATED
- 3.3 CONTACT : COPPER ALLOY

4.0. FINISHES :

- 4.1. SHELL : NICKEL+TIN W/O LOGO
- 4.2. CONTACT : SELECTIVE GOLD PLATING (REFER TO "TABLE A" )

5.0. OTHERS :

- 5.1. RECOMMENDED PC BOARD THICKNESS OF 1.57mm
- 5.2. THIS ALLOW FOR A PANEL THICKNESS OF 2.67mm MAXIMUM, IF THE RECEPTACLE CONNECTOR IS MOUNTED BEHIND A PANEL.
- 5.3. RECOMMENDED PC BOARD MOUNTING DIMMENSION : REFER FIGURE A
- 5.4 DATUM AND BASIC DIMMENSIONS ESTABLISHED BY CUSTOMER.
- 5.5 PRODUCT NUMBER CROSS REFERENCE :REFER TO TABLE A
- 5.6 TORQUE : 3Kg-Cm(Min.)

TABLE A: PRODUCT NUMBERING CODE:

RoHS Compliant

TOLERANCES ARE

**MORETHANALL**  
PCB CONNECTORS  
Cable ASSEMBLIES

DRAWING BY CY

CHECKED BY GENIUS

UNIT / mm

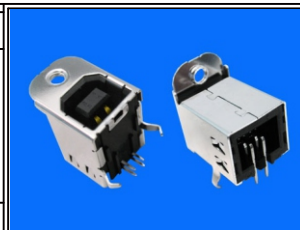
SCALE 1 : 1

DATE

SIZE A4

PPOJECTION

X, ±  
.X ±  
.XX ±  
.XXX ±  
ANG ±



ORDER INFORMATION

**USB-SRNBK-4B-LF**  
SERIES | LEADFREE  
4 PIN B TYPE  
FEMALE | NUT  
BLACK  
DIP 90°

DESCRIPTION: USB CONNECTOR, SERIES B, WITH SCREW 4 POSITIONS, R/A, THUR-HOLE

煜倫股份有限公司

www.morethanall.com