

Technical Data:

Material:

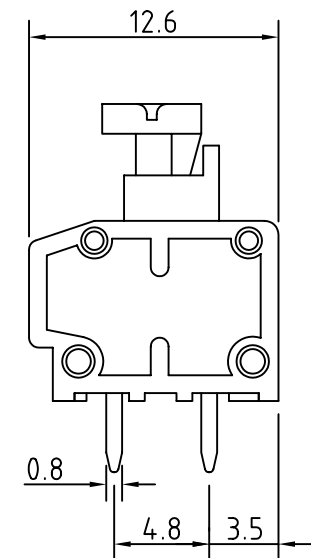
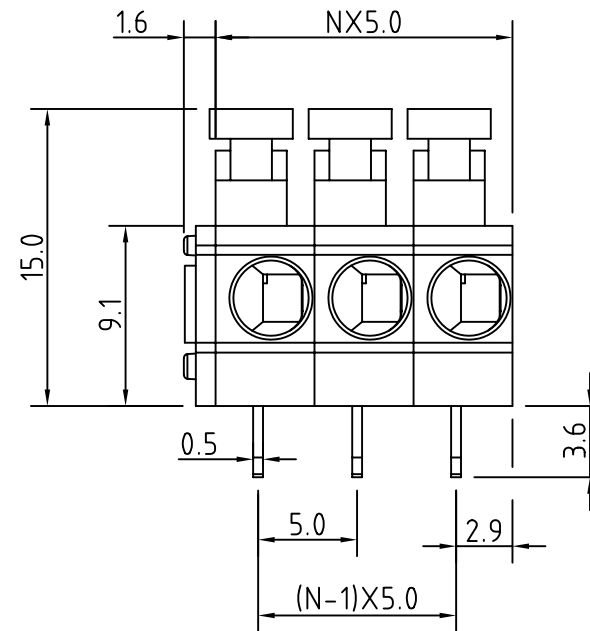
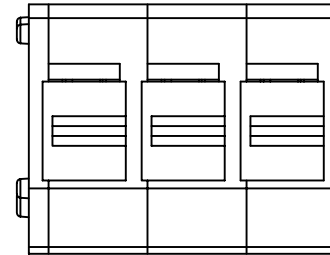
- Contact : Brass
- Wire guard : stainless steel
- Surface of solder tail : Tin plated
- Insulator body(housing) : Polyamide(Glass filled)(UL94V-0)

Electrical

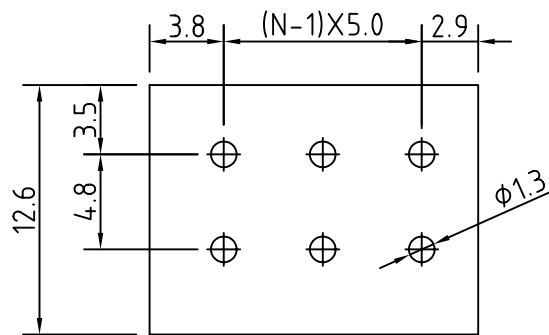
- Voltage rating: 300VAC
- Current rating: 10 Amps/way max
- Contact resistance: 20mΩ(max)
- Insulation resistance: 1000MΩ min.
- Wire range: 14-20AWG

Mechanical:

- Wire retention force: 1.5kg
- Operating temperature: -10°C to +70°C
- Test temperature= 250°C 5 seconds max.



P.C.B. LAYOUT



N=Number of contacts

RoHS Compliant

TOLERANCES ARE

**MORETHANALL**  
PCB CONNECTORS  
Cable ASSEMBLIES

DRAWING BY CY

X, ±

CHECKED BY GENIUS

.X ±

UNIT / mm

SCALE 1 : 1

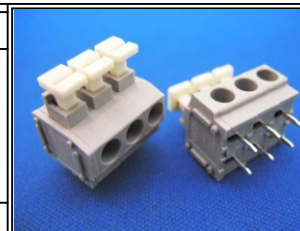
.XXX ±

DATE

ANG ±

SIZE A4

P PROJECTION



ORDER INFORMATION

TBX050-R15-xx-LF

SERIES

LEADFREE

02-24WAY

HIGH 15.0mm

DIP 90°

煜倫股份有限公司

www.morethanall.com

DESCRIPTION: