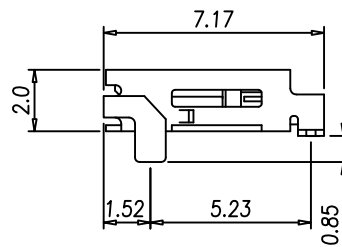
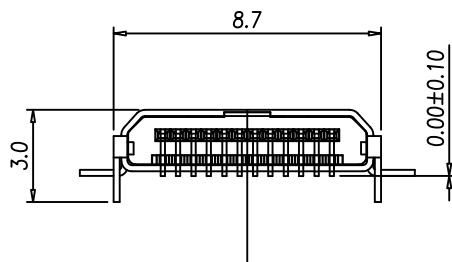
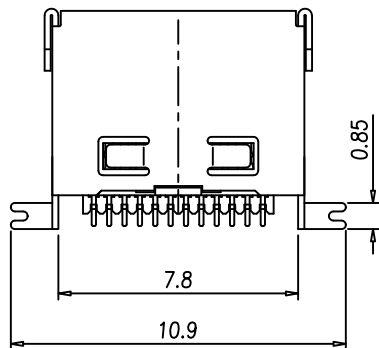


RECOMMED PCB LAYOUT



NOTE:

1. MATERIAL :
 - 1-1. HOUSING : LCP UL94V-0 ; COLOR : BLACK
 - 1-2. CONTACT : PHOSPHOR BRONZE.
 - 1-3. SHELL : PHOSPHOR BRONZE.
2. FINISH :
 - 2-1. CONTACT :
 - CONTACT AREA : 10 MICRO INCHES MIN. GOLD PLATED
 - SOLDER AREA : GOLD FLASH
 - UNDER PLATE : NICKEL
 - 2-2. SHELL : MATTE 60u" ~ 100u" OVER ALL



MSB-SW-12A-LF
LEADFREE
RoHS Compliant

MORETHANALL
CONNECTORS
ASSEMBLIES

PART NO. MSB-SW-12A

DWG NO. MSB-SW-12A

FILE NO.

CHECKED BY CY

DRAWING BY

TOLERANCES ARE

.X ± 0.2
.XX ±
.XXX ±
AWG

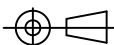
DESCRIPTION: MINI USB 12P (F) 單排SMT

煜倫股份有限公司

UNIT / mm

SCALE 1:1

PROJECTION



AREA

REVISIONS

HK

DATE