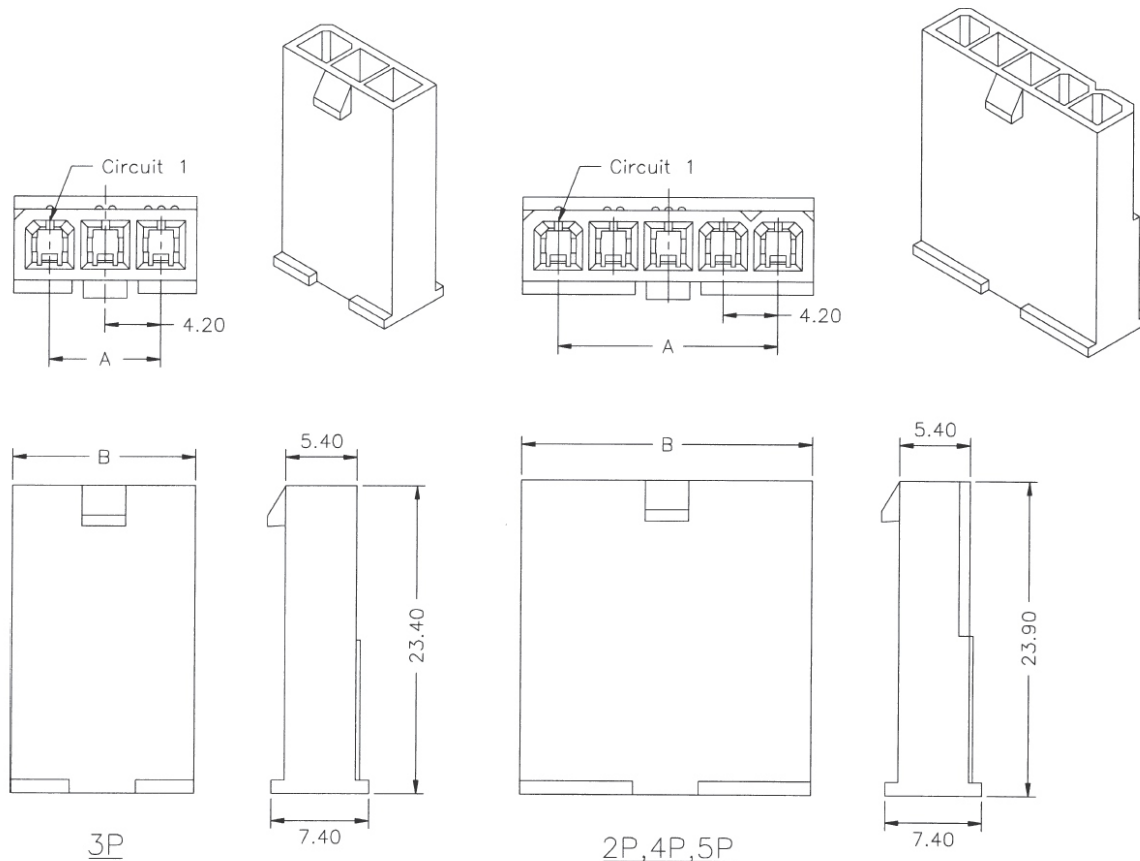


Reference Informations:

*Material: Nylon 66,UL94V-0 or UL94V-2

*Suitable H.R C4255M series Terminal

*Mates with H.R C4255HF series single row Housing



Ordering Information & Dimensions:

PART NO.	Dimensions	
	A	B
MF-PHX-1X02	4.20	9.60
MF-PHX-1X03	8.40	13.80
MF-PHX-1X04	12.60	18.00
MF-PHX-1X05	16.80	22.20

Unit:mm

MORETHANALL
CONNECTORS
ASSEMBLIES

PART NO. **MF-PHX-1Xxx**

DWG NO. **MF-PHX-1Xxx**

FILE NO.

UNIT / mm

SCALE 1:1

CHECKED BY CY

DRAWING BY

PROJECTION

TOLERANCES ARE

.X ± 0.2

.XX ±

.XXX ±

AWG

DESCRIPTION:

AREA

REVISIONS

HK

DATE

煜倫股份有限公司