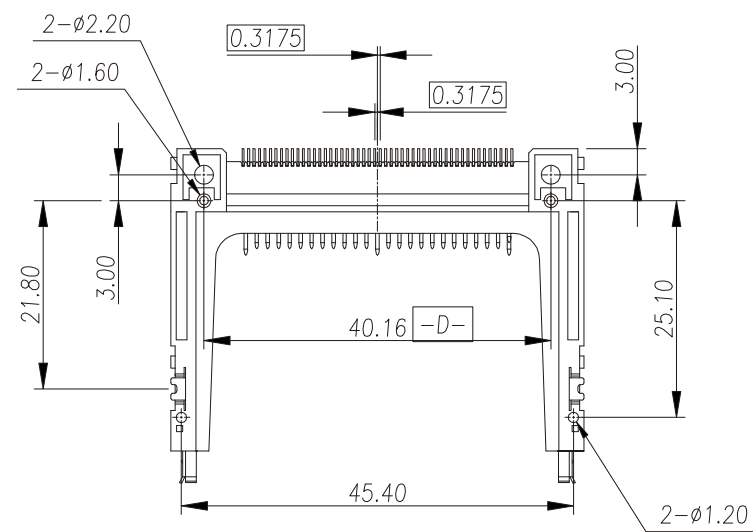
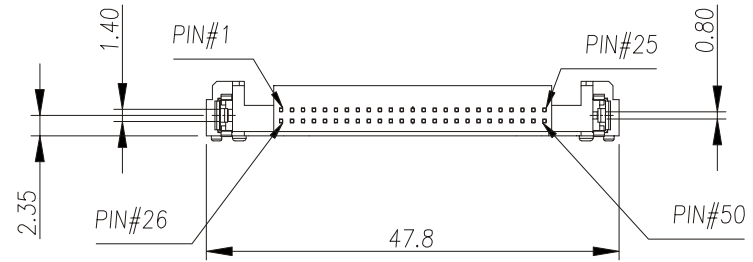


Pin Type	Interface Dim L	Pin Type
Detect	3.5 mm	25,26
General	4.25 mm	All Other Pins
Power	5.0 mm	1,13,38,50



Ordering Information:



CFC-PW40CE201HRS-50-LF
LEADFREE

RoHS Compliant



PART NO. CFC-PW40CE201HRS-50

DWG NO. CFC-PW40CE201HRS-50

CHECKED BY CY

TOLERANCES ARE

DESCRIP TION:

CF TYPE2 ,50PIN SMT
NORMAL TYPE

煜倫股份有限公司

FILE NO.

DRAWING BY

.X ± 0.2
.XX ± 0.1
.XXX ±
AWG

AREA

REVISIONS

HK

DATE

UNIT / mm

SCALE 1:1

PROJECTION

