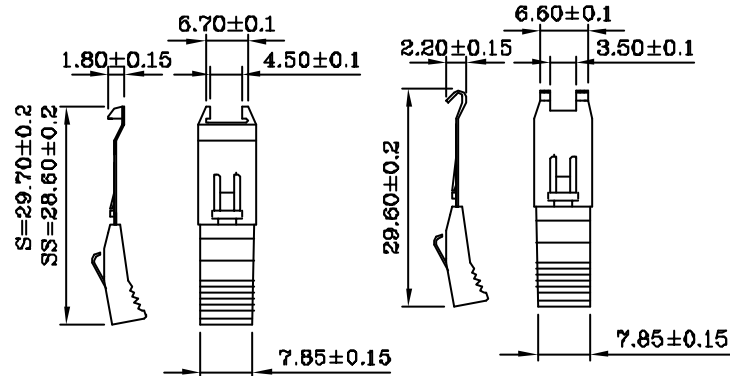


FEATURES:

- Plastic hood with spring latches
- Steel inner shell
- Full EMI/RFI shielded

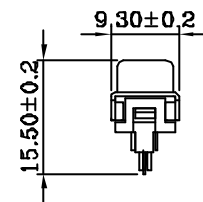
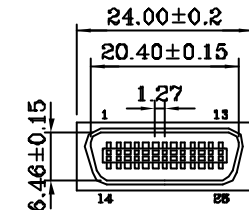
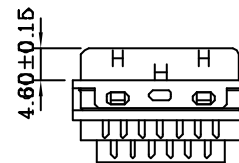
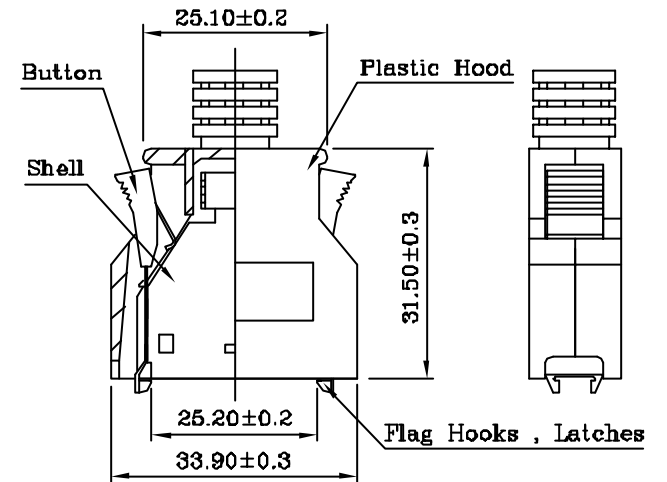
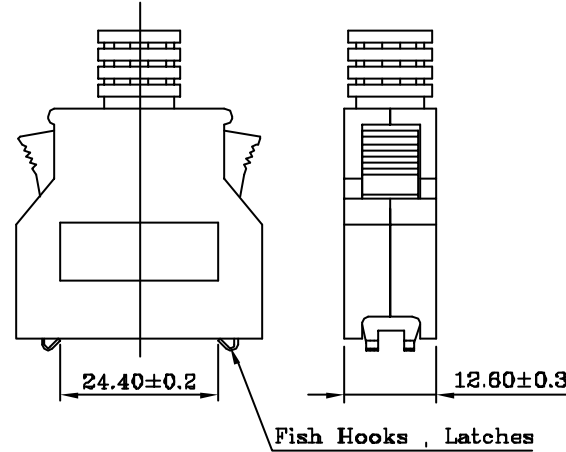
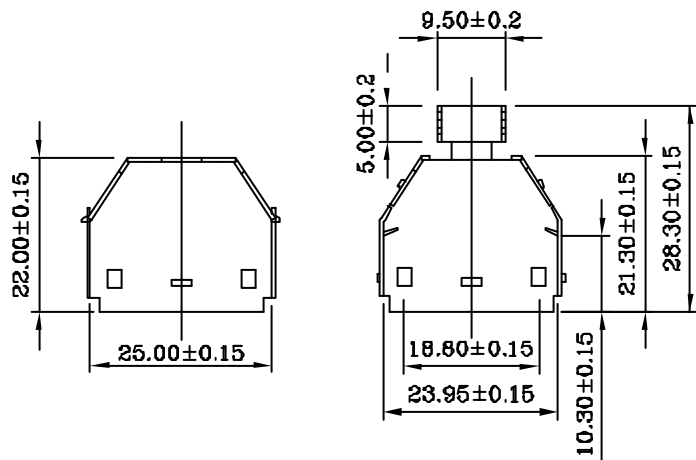
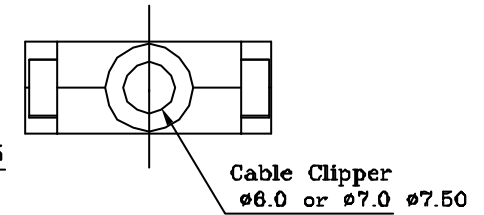
MATERIALS:

- Hood: Plastic ABS PA-769
- Inner Shell: Steel, Nickel plated
- Latch: Phosphor bronze, Nickel plated
- Latch: Stainless steel



S : Flag Hooks
SS: Flag Hooks

LS: Fish Hooks



MORETHANALL
CONNECTORS
ASSEMBLIES

PART NO. **HPC-PSQ-026**

DWG NO. **HPC-PSQ-026**

FILE NO.

UNIT / mm

SCALE 1:1

CHECKED BY CY

DRAWING BY

PROJECTION

TOLERANCES ARE

.X ± 0.2
.XX ±
.XXX ±
AWG

DESCRIPTION:

1.27mm(.050") Series 26P

With Spring Latches

AREA

REVISIONS

HK

DATE

煜倫股份有限公司